

# USER MANUAL

DCS-6510

VERSION 1.0



**D-Link**<sup>®</sup>

**SURVEILLANCE**

---

# Table of Contents

|  |           |                                |           |
|--|-----------|--------------------------------|-----------|
| <b>Product Overview</b> .....                                  | <b>4</b>  | Audio and Video .....          | 38        |
| Package Contents .....   | 4         | Motion Detection .....         | 39        |
| <b>Installation</b> .....                                      | <b>5</b>  | Time and Date .....            | 40        |
| Hardware Overview .....  | 5         | Event Setup .....              | 41        |
| Camera Enclosure Disassembly and SD Card<br>Installation ..... | 6         | Application .....              | 42        |
| Hardware Reset.....  | 7         | Add Server.....                | 43        |
| Preparing for Installation.....                                | 8         | Add Media.....                 | 44        |
| Adjusting the Zoom/Focus.....                                  | 10        | SD Card .....                  | 49        |
| Flush Mount (DCS-33-1) .....                                   | 11        | Advanced.....                  | 50        |
| Surface Mount (DCS-33-2) .....                                 | 13        | Digital Input/Output .....     | 50        |
| Pendant Mount (DCS-33-3).....                                  | 15        | ICR and IR.....                | 51        |
| Bent Mount (DCS-33-4).....                                     | 17        | HTTPS .....                    | 52        |
| Network and Power Connections .....                            | 19        | Access List.....               | 53        |
| <b>Configuration</b> .....                                     | <b>21</b> | Maintenance .....              | 54        |
| Configuration with Wizard.....                                 | 21        | Device Management.....         | 54        |
| Web-based Configuration Utility .....                          | 26        | Backup and Restore .....       | 55        |
| Live Video .....   | 28        | Firmware Upgrade .....         | 56        |
| Setup .....  | 29        | Status .....                   | 57        |
| Wizard.....  | 29        | Device Info.....               | 57        |
| Internet Connection Setup Wizard .....                         | 29        | Logs .....                     | 58        |
| Motion Detection Setup Wizard .....                            | 32        | Help .....                     | 59        |
| Network Setup .....  | 34        | <b>Appendix</b> .....          | <b>60</b> |
| Dynamic DNS .....  | 36        | DI/DO Schematics .....         | 60        |
| Image Setup .....  | 37        | Technical Specifications ..... | 61        |

---

# Preface

D-Link reserves the right to revise this publication and to make changes in the contents hereof without obligation to notify any person or organization of such revisions or changes.

## Manual Revisions

| Revision | Date         | Description                                     |
|----------|--------------|---|
| 1.0      | July 1, 2010 | DCS-6510 Revision A1 with firmware version 1.00 |

## Trademarks

D-Link and the D-Link logo are trademarks or registered trademarks of D-Link Corporation or its subsidiaries in the United States or other countries. All other company or product names mentioned herein are trademarks or registered trademarks of their respective companies.

Copyright © 2010 by D-Link Systems, Inc.

All rights reserved. This publication may not be reproduced, in whole or in part, without prior expressed written permission from D-Link Systems, Inc.

# Package Contents



**DCS-6510  
Network Camera**



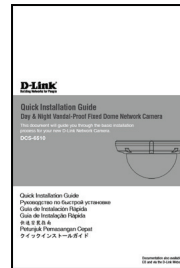
**Power Adapter**



**Security Wrench**



**Manual and Wizard  
on CD-ROM**



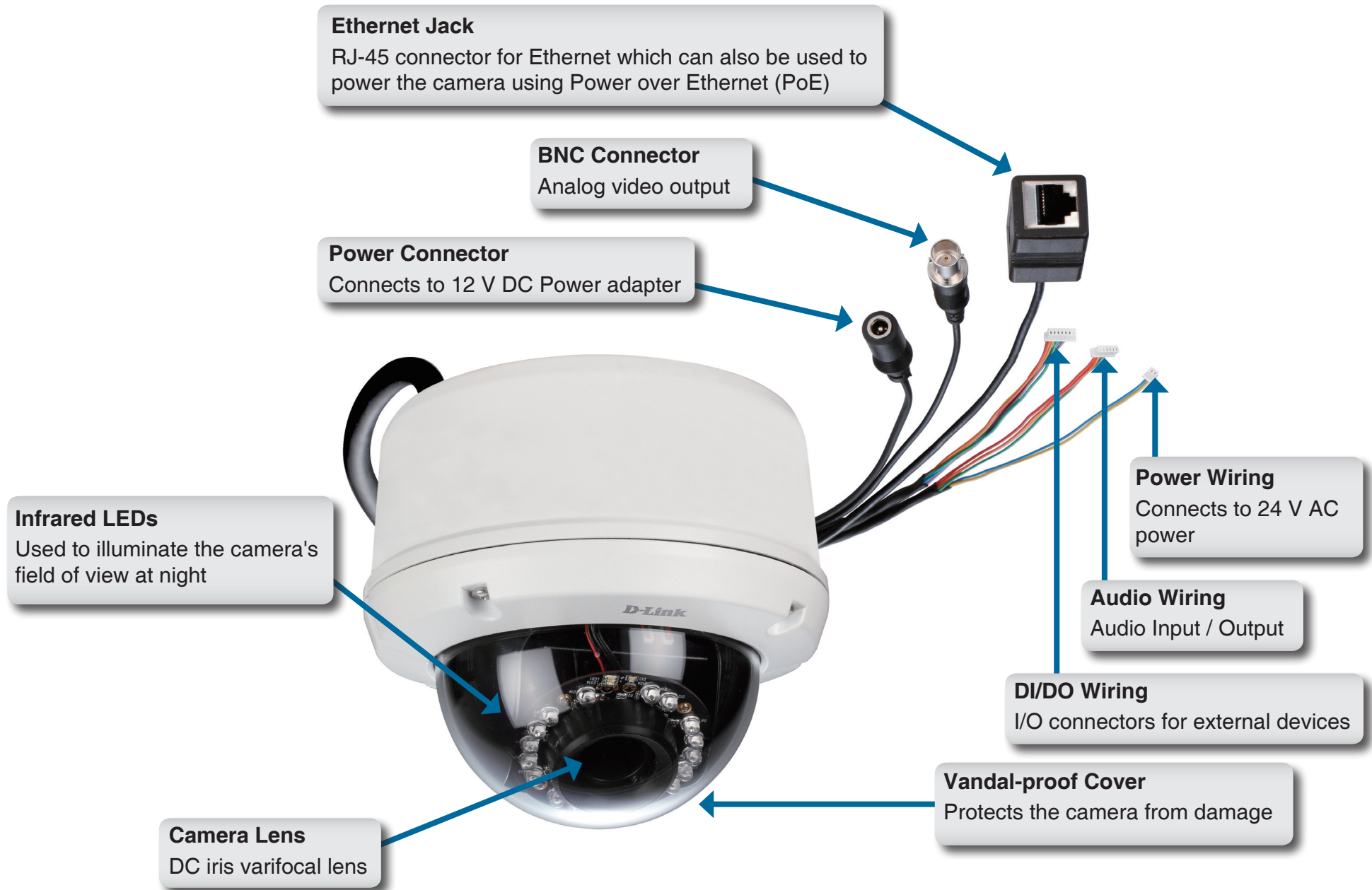
**Quick Installation  
Guide**



**Plastic Lens Tool**

If any of the above items are missing, please contact your reseller.

# Hardware Overview

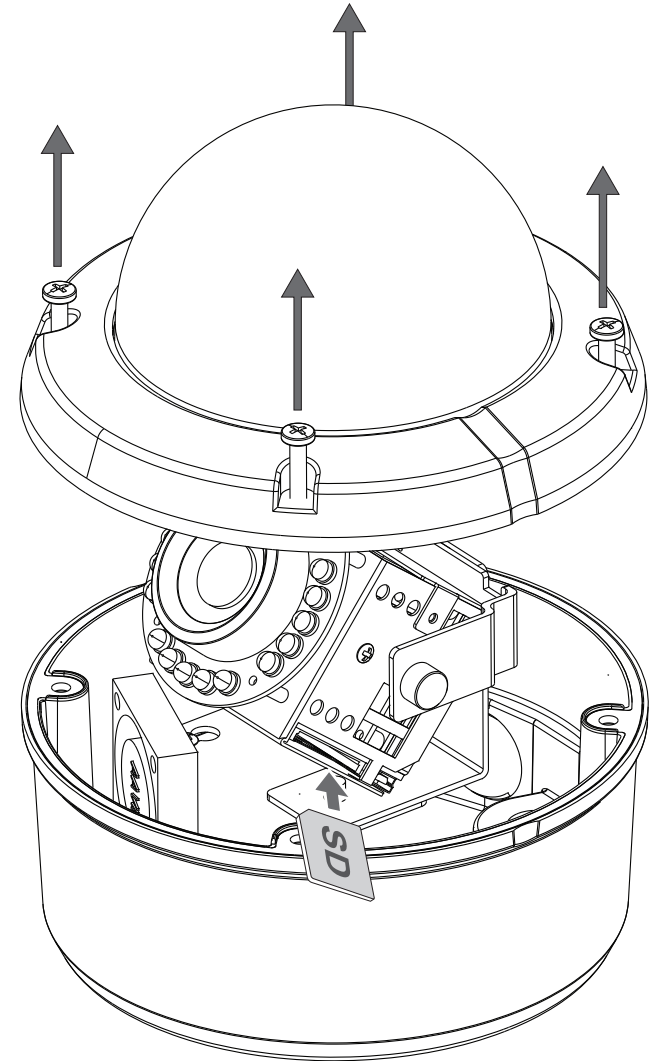


# Camera Enclosure Disassembly and SD Card Installation

## Disassemble the Camera

Open the camera enclosure by removing the 3 standard screws using a screwdriver. Remove the 4th screw using the provided security wrench.

Lift the dome off of the base of the camera.



## Install the SD Card

Push the SD card into the camera with the gold contacts oriented towards the base of the camera. To eject the SD card, push the SD card into the slot.

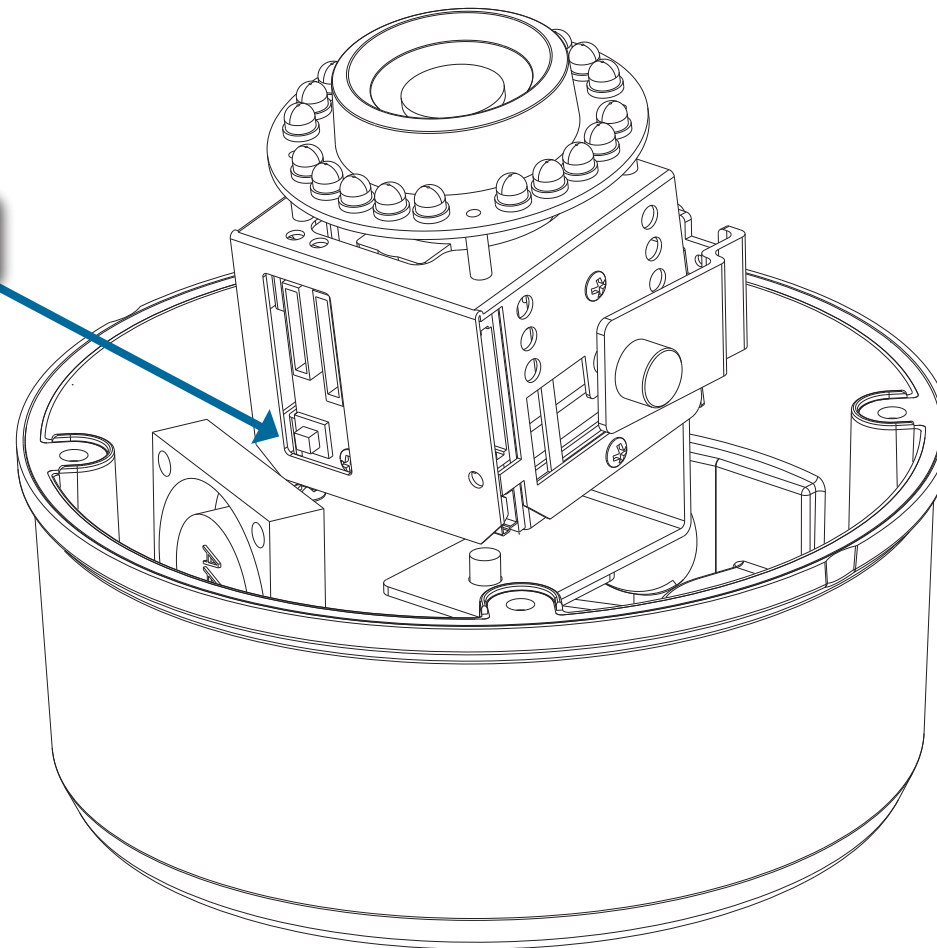
# Hardware Reset

## Resetting the Camera

If the camera is malfunctioning, you may use the hardware reset button located on the underside of the camera apparatus to reset the camera to factory default settings. Press and hold the reset button for approximately 10 seconds to reset the camera.

### Reset Button

Resets camera to factory default settings



# Preparing for Installation

A. Depending on how you choose to mount the camera, you may need to change the orientation of the cable. For instance, when using the Surface Mounting Bracket, the cables may need to exit through the side of the camera base rather than the top.

## Changing Cable Orientation:

1. Disassemble the camera enclosure. (See Figure A. on page 6.)
2. Loosen, but do not remove, the two screws that secure the camera bracket to the base of the enclosure using a screwdriver. (Figure 1.)
3. Slide the camera bracket towards the front of the camera base. (Figure 2.)
4. Lift the camera bracket off of the base and out of the way. (Figure 3.)
5. Disconnect the cables from the circuit board at the base of the camera. (Figure 4.)

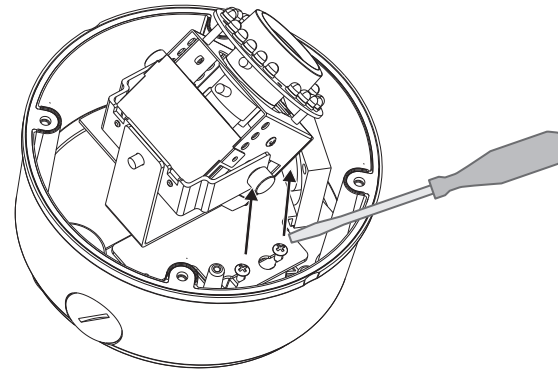


Figure 1.

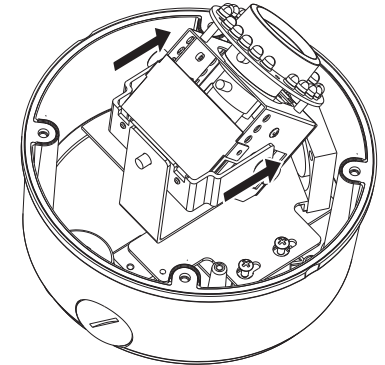


Figure 2.

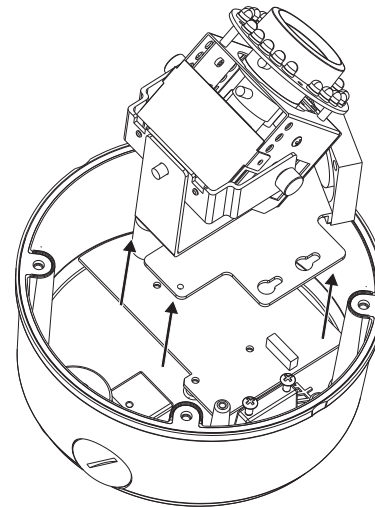


Figure 3.

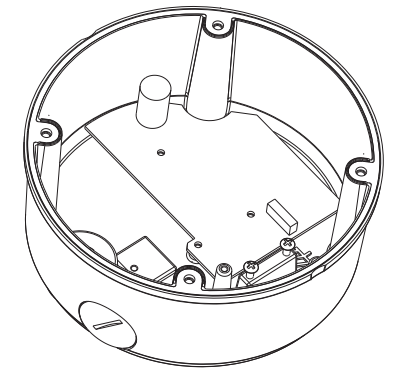


Figure 4.



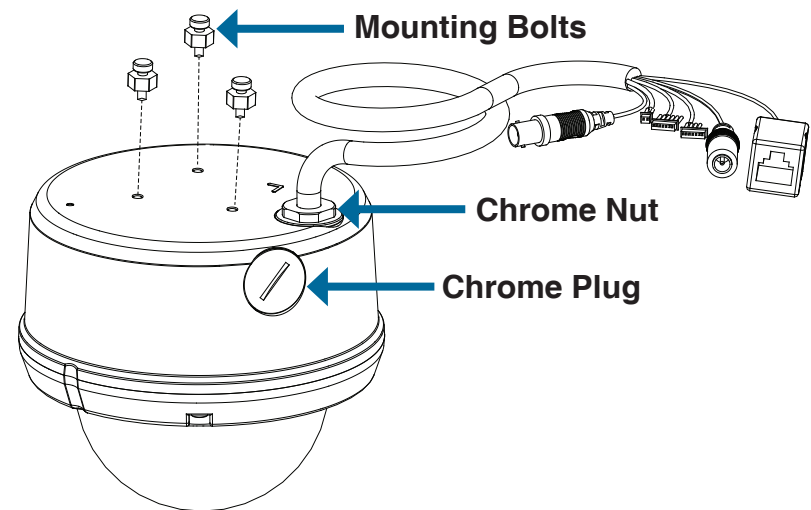
6. Cut the zip-tie at the base of the cables if needed.
7. Use a metric size 21 wrench to loosen the chrome nut where the cable exits the base of the camera.
8. Remove the cable with the nut attached.
9. Loosen and remove the chrome plug from the base of the camera using a coin or screwdriver.
10. Place the cable into the new hole and reconnect the cable connectors to the circuit board.
11. Replace the chrome plug and tighten it into place.
12. Replace the chrome nut and tighten it into place

B. Replace the dome enclosure over the IP camera and tighten the 4 screws.

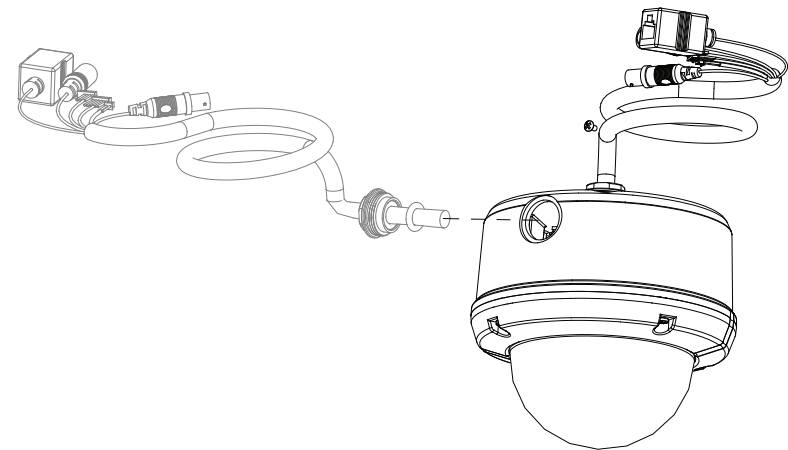
C. Insert and tighten the 3 mountings bolts in the holes on the back panel of the camera, as shown here.

**Safety Notice:**

Installation and servicing should be done by certified technicians so as to conform to all local codes and prevent voiding your warranty.



**Figure 5.**

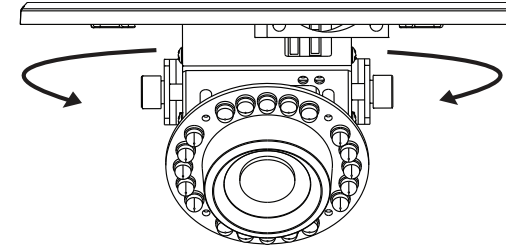


**Figure 6.**

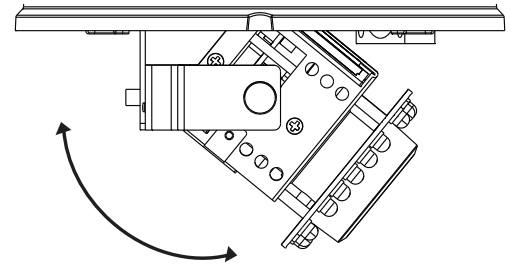
# Adjusting the Zoom/Focus

## Adjust the Viewing Angle of the 3-Axis Mechanism

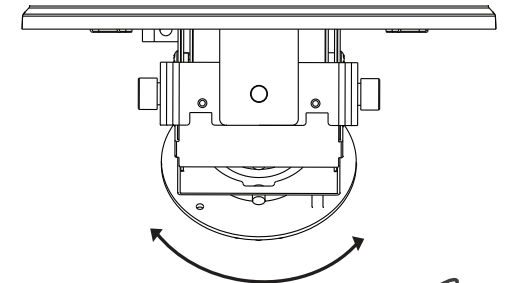
Turn the lens module left and right until the desired position is achieved; tighten the pan screw once completed.



Loosen the tilt screws on both sides of the camera, and turn the lens module up and down until the desired position is achieved; tighten the tilt screws once completed.



Turn the lens to adjust the IP camera's image until the desired orientation is achieved, tighten the image adjustment screw once completed.

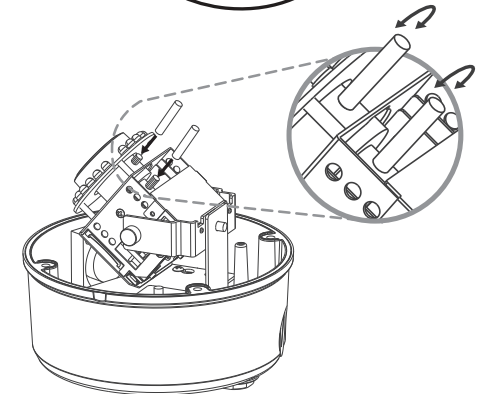


## Adjust Zoom and Focus of the Lens Module

Please use the included plastic lens tool to make these adjustments.

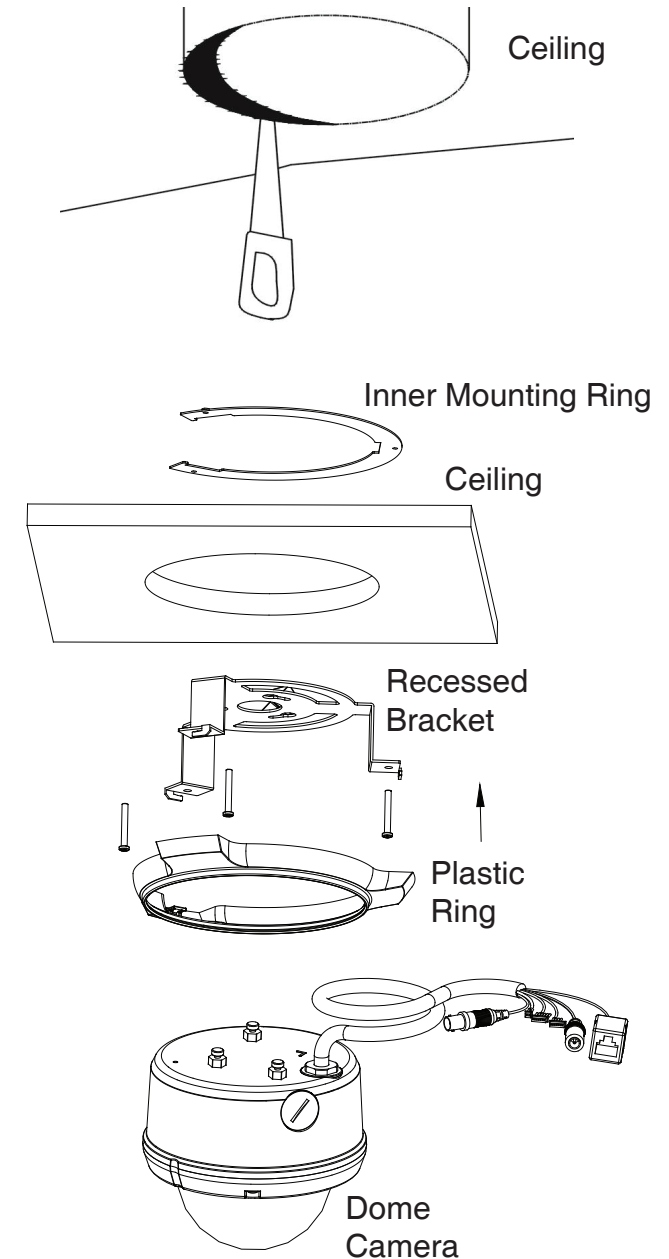
Adjust the zoom factor by moving the controller left and right until the desired range is achieved. Tighten the zoom controller once completed.

Adjust the focus range by moving the controller left and right until the image is clear. Tighten the focus controller once completed.

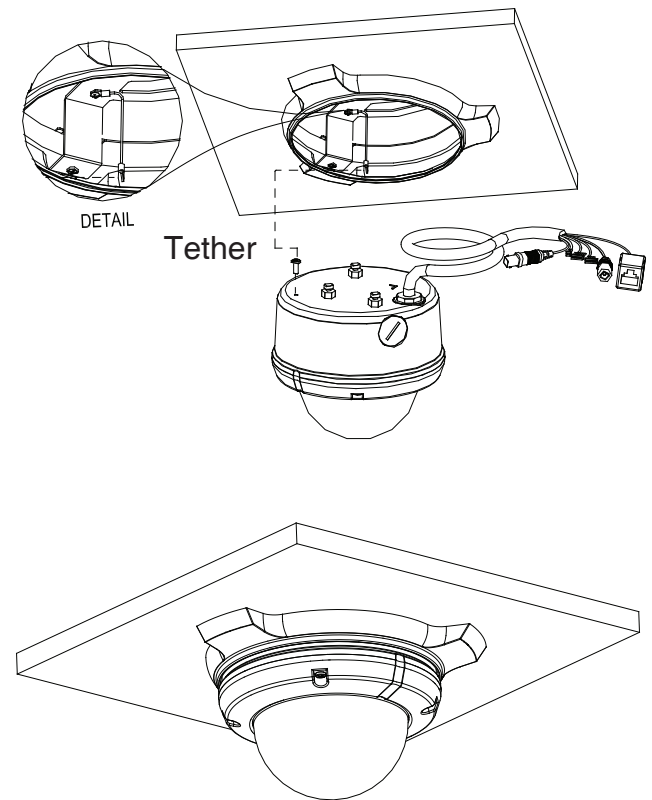


# Flush Mount (DCS-33-1)

1. Locate a suitable position on the ceiling for a 158 mm (+2 / -0 mm) hole to be cut.  
A template is included to aid in marking the mounting hole. Ensure that this hole will have sufficient access to power, network, and A/V cables.
2. Cut the hole in the ceiling according to the template.
3. Drill 3 separate 6 mm holes corresponding to the holes in the mounting template and insert the plastic anchors into these holes.
4. Insert the inner mounting ring into the ceiling cavity with the screw guides pointing towards the floor.
5. Attach the inner mounting ring to the recessed bracket using the three screws provided.
6. Slip the cosmetic plastic ring over the bracket and turn it counter-clockwise to lock it into place.



7. Attach one side of the safety tether cable to the inner mounting ring using the small screw. Attach the opposite side of the tether to the base of the camera using the other small screw.
8. Connect the Ethernet cable and the power cable, threading them through the hole in the ceiling.
9. Push the dome body up into the installed bracket taking care to align the mounting bolts on the camera base with the bracket's slots. Rotate the camera clockwise to lock the camera into the bracket.

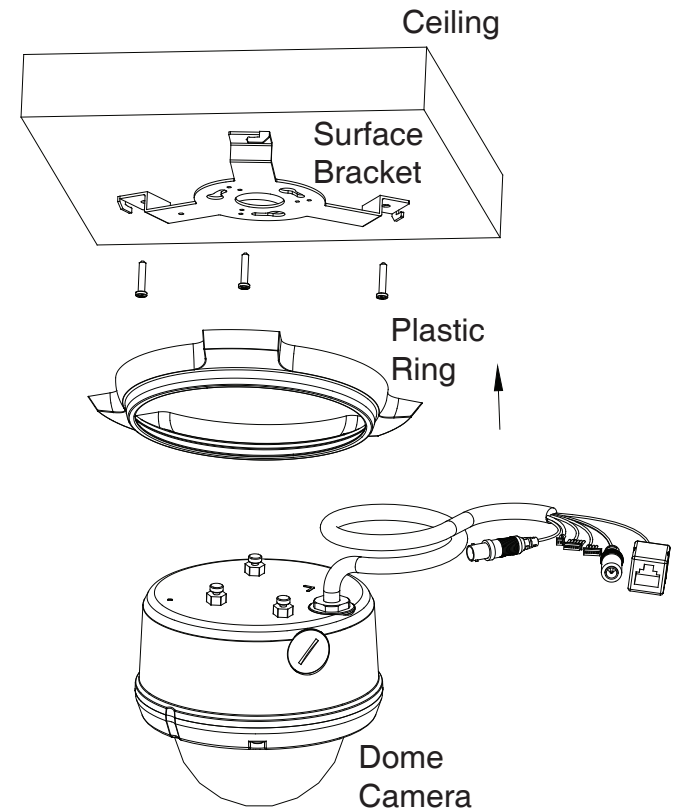


# Surface Mount (DCS-33-2)

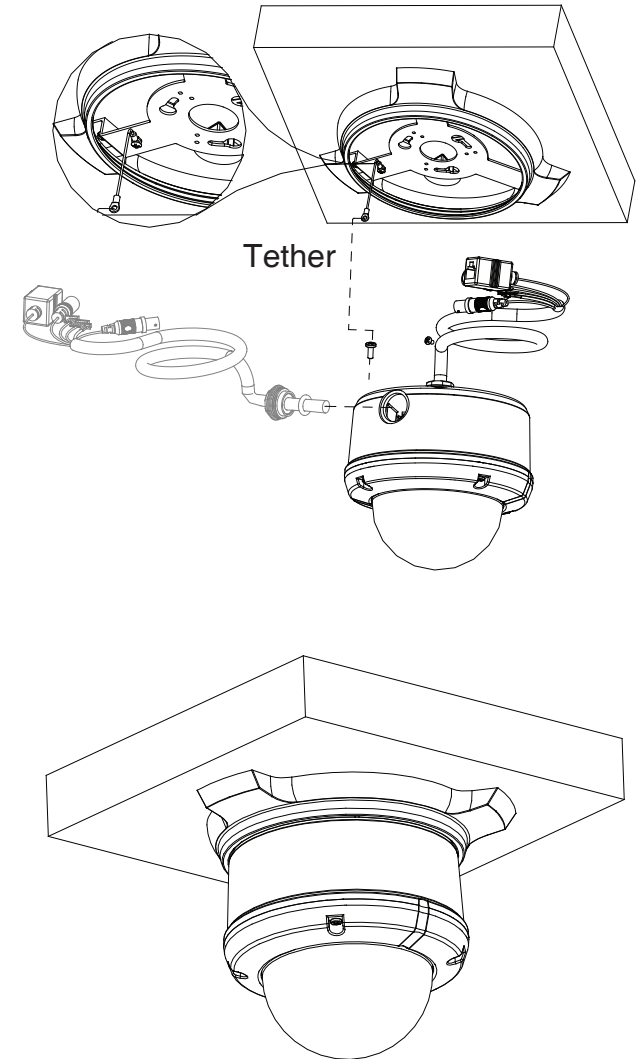
1. Locate a suitable position on the ceiling for a 45 mm (+2 / -0 mm) hole to be cut (optional). A template is included to aid in marking the mounting hole.

**Note:** If you will not drill a hole for the cable, please see page 8 for information regarding how to change the orientation of the cable.

2. Cut the hole in the ceiling according to the template
3. Drill 3 separate 6 mm holes corresponding to the holes in the mounting template and insert the plastic anchors into these holes.
4. Attach the surface bracket to the ceiling using the screws provided.
5. Slip the cosmetic plastic ring over the bracket and turn it clockwise to lock it into place.

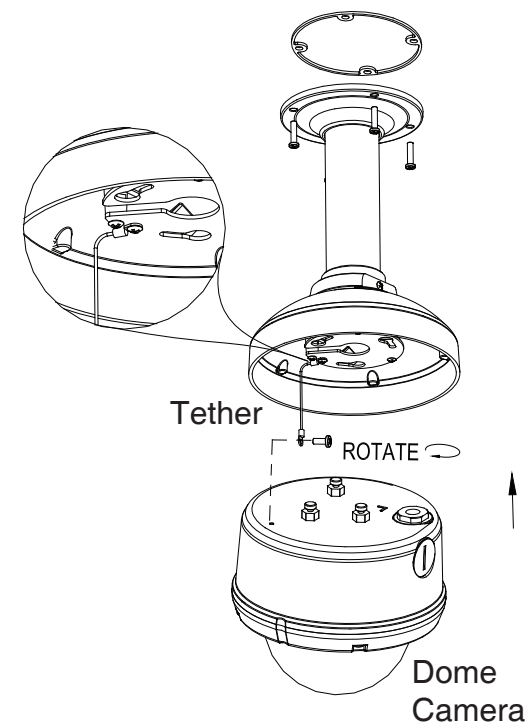
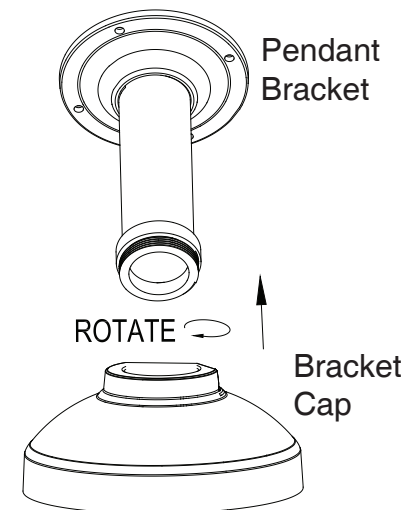


6. Attach one side of the safety tether cable to the surface bracket using the small screw. Attach the opposite side of the tether to the base of the camera using the other small screw.
7. Connect the Ethernet cable and the power cable, threading them through the hole in the ceiling. If you did not drill a hole to
8. Push the dome body up into the installed bracket taking care to align the mounting bolts on the camera base with the bracket's slots. Rotate the camera clockwise to lock the camera into the bracket.

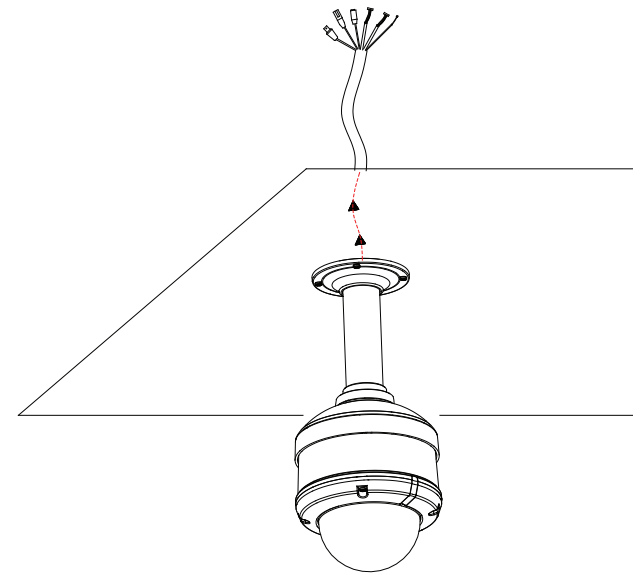


# Pendant Mount (DCS-33-3)

1. Locate a suitable position on the ceiling for a 34 mm (+2 / -0 mm) hole to be cut. A template is included to aid in marking the mounting hole.
2. Cut the hole in the ceiling according to the template
3. Drill 4 separate 6 mm holes corresponding to the holes in the mounting template and insert the plastic anchors into these holes.
4. Place the rubber seal between the pendant bracket and the ceiling to ensure a waterproof seal between the ceiling and the bracket.
5. Attach the pendant bracket to the ceiling using the screws provided.
6. Attach the bracket cap to the bottom of the pendant bracket, rotating the cap counter-clockwise to tighten it into place.
7. Insert the screw into the base of the pendant bracket at the top of the bracket cap to secure the bracket cap into place.
8. Attach one side of the safety tether cable to the bracket cap using the small screw. Attach the opposite side of the tether to the base of the camera using the other small screw.



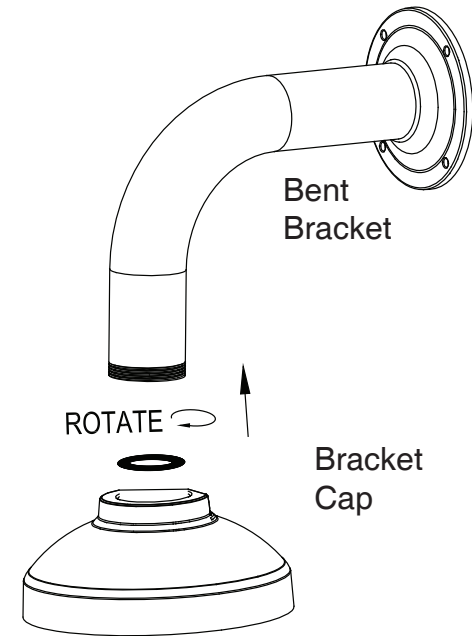
9. Connect the Ethernet cable and the power cable and thread them through the pendant bracket.
10. Push the dome body up into the installed bracket taking care to align the mounting bolts on the camera base with the bracket's slots. Rotate the camera clockwise to lock the camera into the bracket.



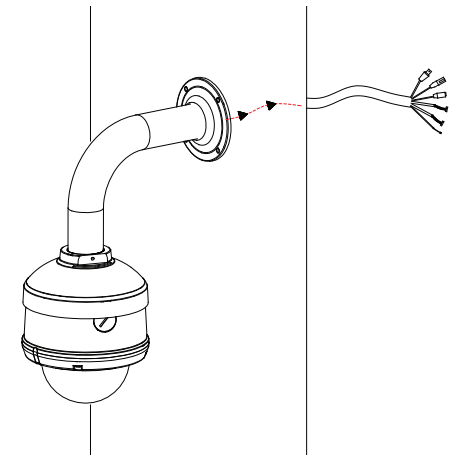
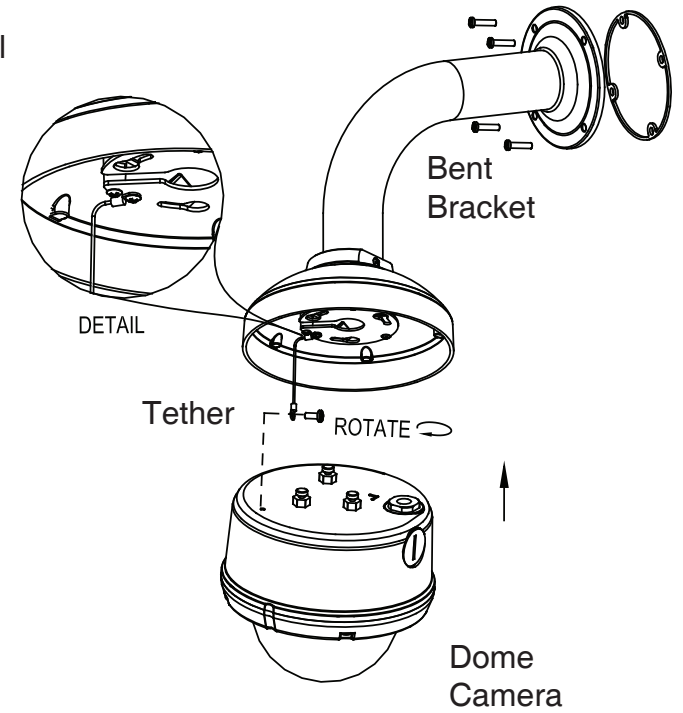


# Bent Mount (DCS-33-4)

1. Locate a suitable position on the wall for a 34 mm (+2 / -0 mm) hole to be cut. A template is included to aid in marking the mounting hole.
2. Cut the hole in the wall according to the template
3. Drill 4 separate 6 mm holes corresponding to the holes in the mounting template and insert the plastic anchors into these holes.
4. Place the rubber seal between the bent bracket and the wall to ensure a waterproof seal between the wall and the bracket.
5. Attach the bent bracket to the wall using the screws provided.
6. Place the rubber washer into the hole at the top of the bracket cap to ensure a waterproof seal between the cap and the bracket.
7. Attach the bracket cap to the bottom of the bent bracket, rotating the cap counter-clockwise to tighten it into place.
8. Insert the screw into the base of the bent bracket at the top of the bracket cap to secure the bracket cap into place.



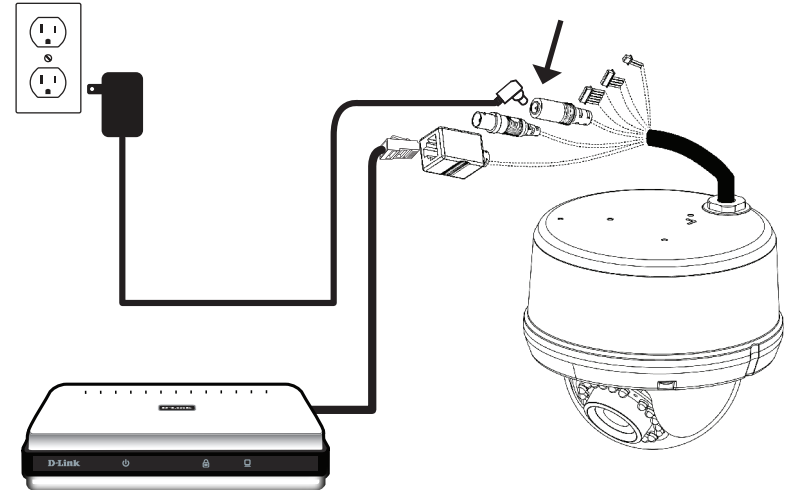
9. Attach one side of the safety tether cable to the bracket cap using the small screw. Attach the opposite side of the tether to the base of the camera using the other small screw.
10. Connect the Ethernet cable and the power cable and thread them through the bent bracket.
11. Push the dome body up into the installed bracket taking care to align the mounting bolts on the camera base with the bracket's slots. Rotate the camera clockwise to lock the camera into the bracket.



# Network and Power Connections

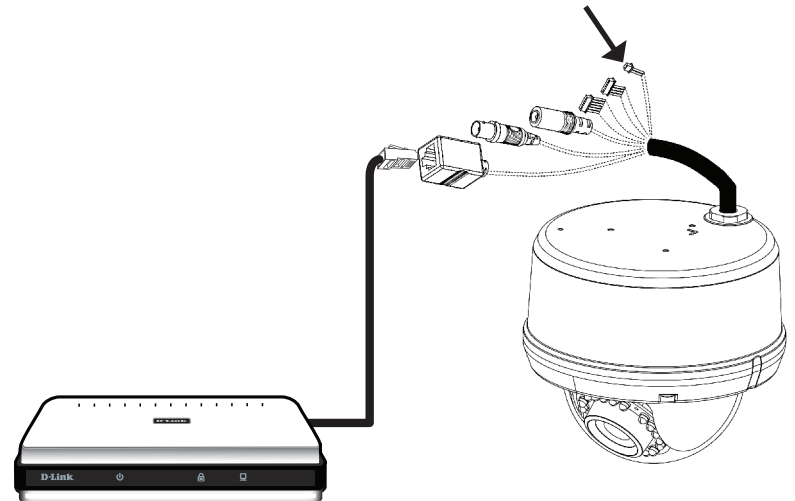
## General Connection Using 12 V DC Power Adapter

1. Connect the network camera to a hub via an Ethernet cable.
2. Connect the supplied power cable from the camera to a power outlet.



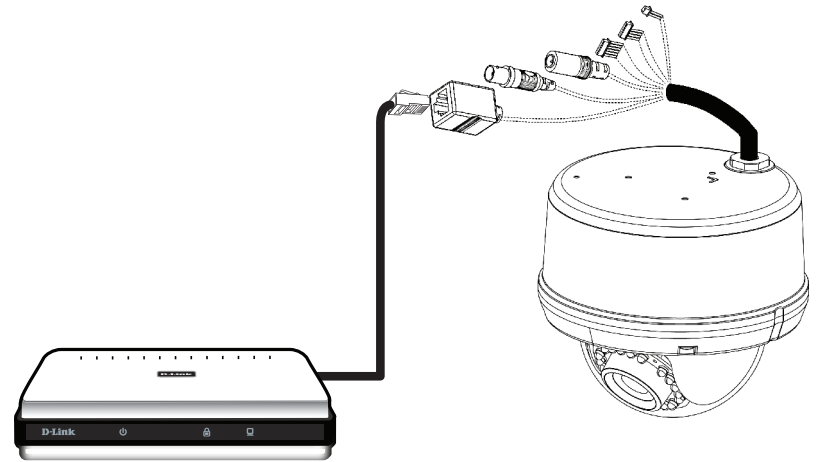
## General Connection Using 24 V AC Power Wiring

1. Connect the network camera to a hub via an Ethernet cable.
2. Connect the supplied power cable from the camera to a power source such as your building's emergency power.



## Connection with a PoE Hub

If you are using a PoE hub, connect the IP camera to the hub via an Ethernet cable, which will provide transmission of both power and data over a single cable.



# Configuration with Wizard

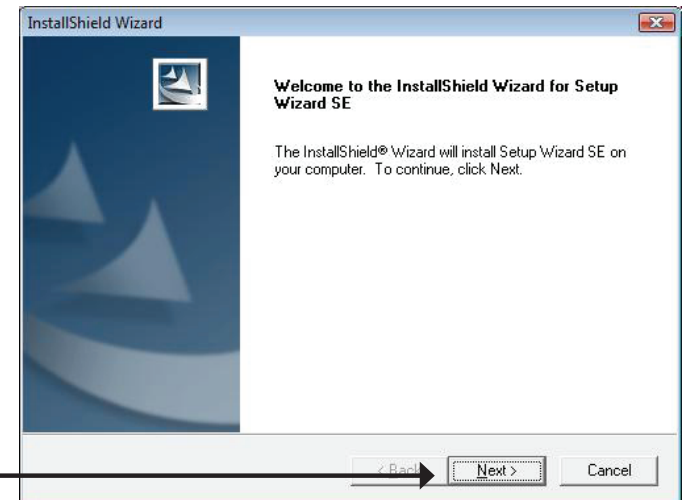
Insert the DCS-6510 CD into your computer's CD-ROM drive to begin the installation. If the Autorun function on your computer is disabled, or if the D-Link Launcher fails to start automatically, click **Start > Run**. Type **D:\autorun.exe**, where D: represents the drive letter of your CD-ROM drive.

Click **Setup Wizard** to begin the installation.

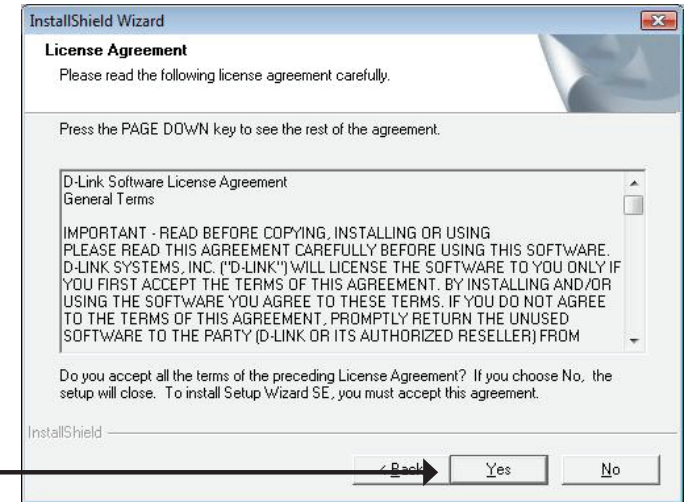


After clicking Setup Wizard, the window on the right will open.

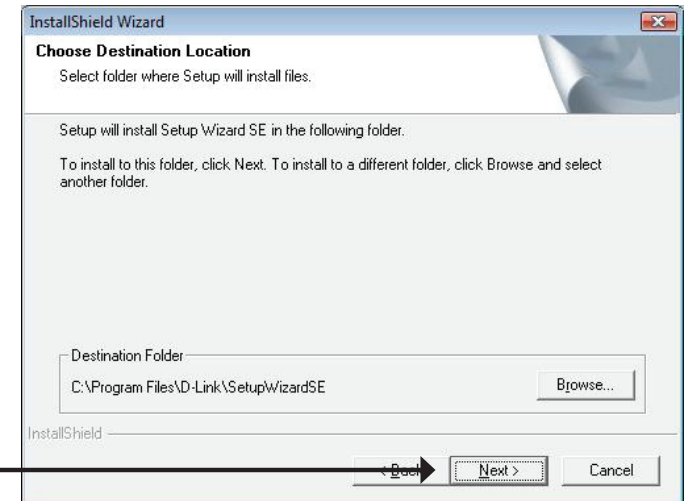
Click **Next** to continue.



Click **Yes** to accept the License Agreement.

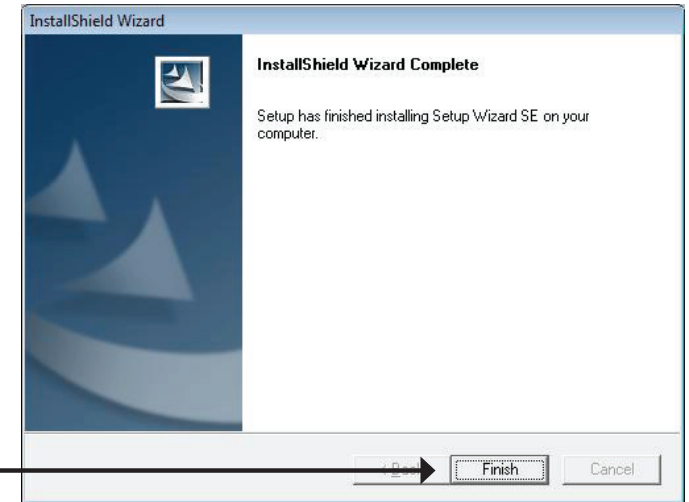


To start the installation process, click **Next**.



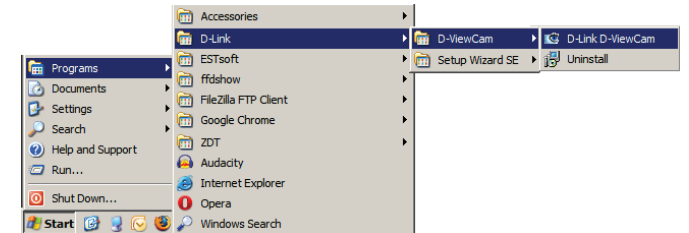
**Note:** The installation may take several minutes to finish.

Click **Finish** to complete the installation.



Click on the **D-Link Setup Wizard SE** icon that was created in your Windows Start menu.

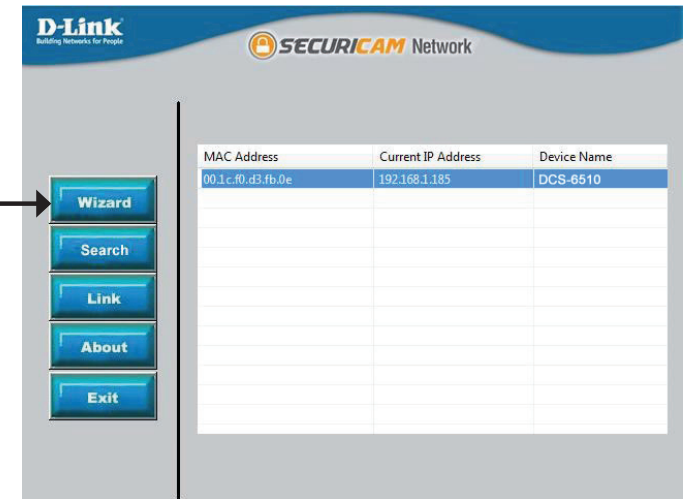
**Start > D-Link > Setup Wizard SE**



## Configuration

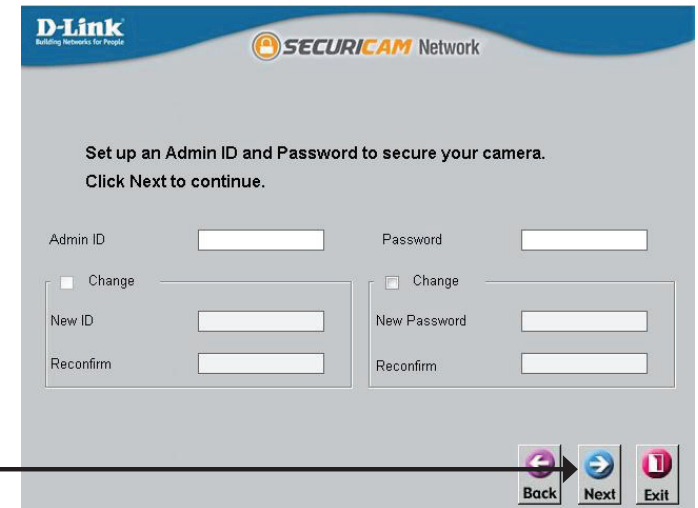
The Setup Wizard will appear and display the MAC address and IP address of your camera(s). If you have a DHCP server on your network, a valid IP Address will be displayed. If your network does not use a DHCP server, the network camera's default static IP address **192.168.0.20** will be displayed.

Click the **Wizard** button to continue.



Enter the Admin ID and password. When logging in for the first time, the default Admin ID is **admin** with the password left blank.

Click **Next**, to proceed to the next page.





Select DHCP if your camera obtains an IP address automatically when it boots up. Select static IP if the camera will use the same IP address each time it is started.

Click **Next**, to proceed to the next page.

D-Link Building Networks for People

SECURICAM Network

### Set IP Address

DHCP

Static IP

IP Address

Subnet Mask

Default Gateway

Primary DNS

Secondary DNS

Take a moment to confirm your settings and click **Restart**.

D-Link Building Networks for People

SECURICAM Network

Admin ID

Password

IP Address

Subnet Mask

Primary DNS

Secondary DNS

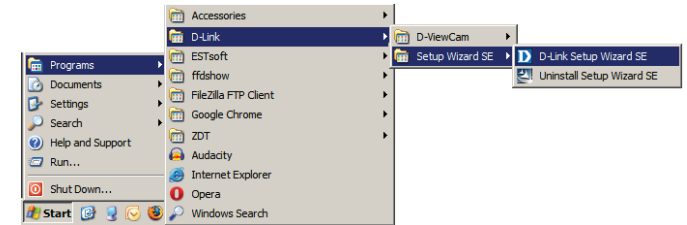
The Setup Wizard has completed. Click on 'Back' to modify your settings. Click 'Restart' to save your current settings and reboot the Internet Camera.

# Web-based Configuration Utility

This section explains how to configure your new D-Link Network Camera using the Web-based Configuration Utility.

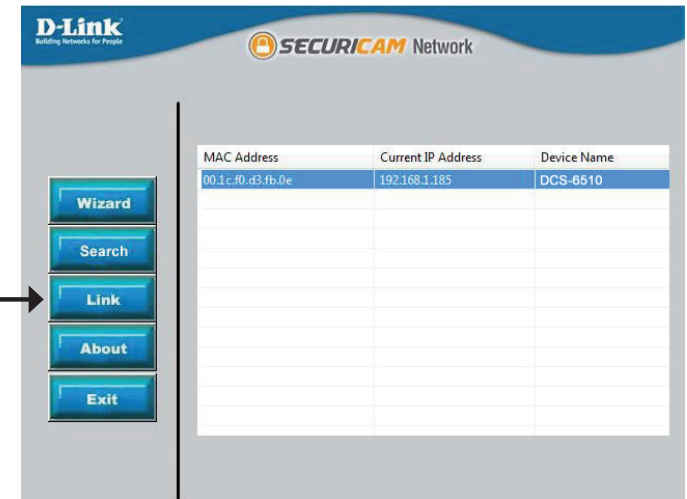
Click on the **D-Link Setup Wizard SE** icon that was created in your Windows Start menu.

**Start > D-Link > Setup Wizard SE**

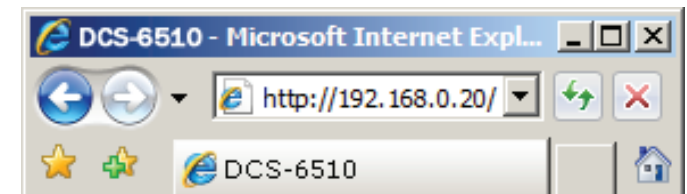


Select the camera and click the button labeled **"Link"** to access the web configuration.

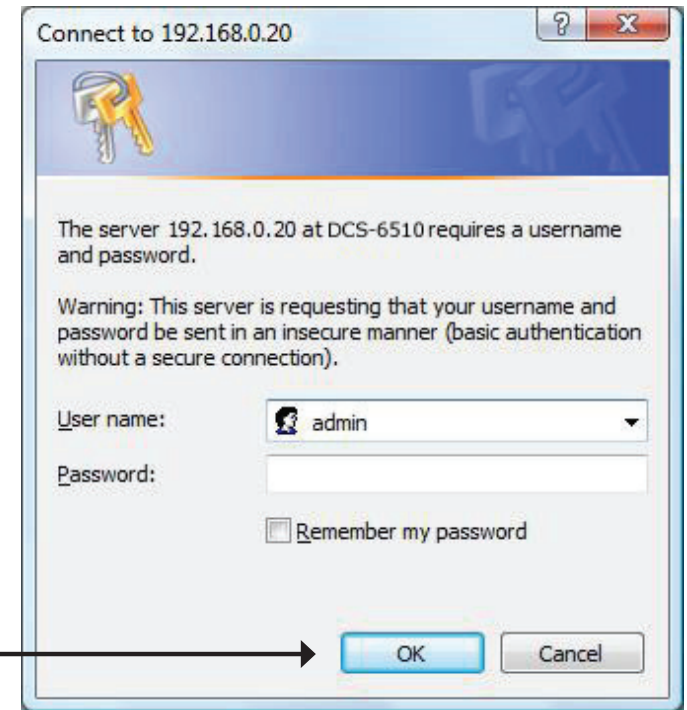
The Setup Wizard will automatically open your web browser to the IP address of the camera.



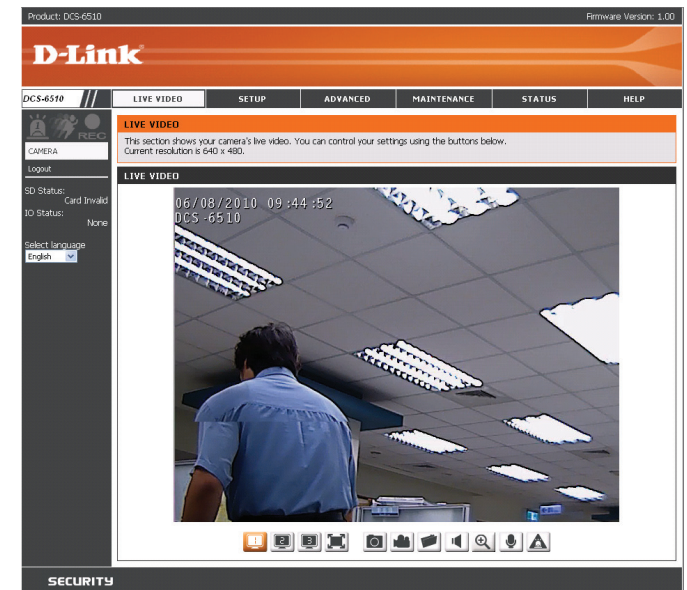
Alternatively, you may manually open a browser and enter the IP address of the camera: **192.168.0.20**



Enter **admin** as the default username and leave the password blank. Click **OK** to continue.

















This section shows your camera's live video. You can select your video profile and view or operate the camera. For additional information about web configuration, please refer to the user manual included on the CD-ROM or the D-Link website.

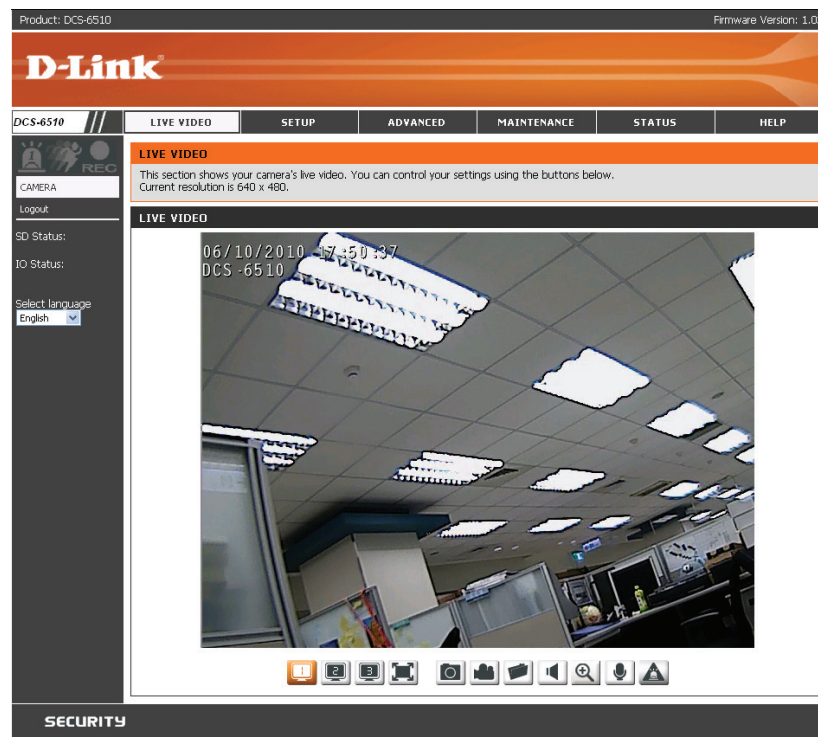


# Live Video

This section shows your camera's live video. You may select any of the available icons listed below to operate the camera. You may also select your language using the drop-down menu on the left side of the screen.

|   |                                 |   |
|---|---------------------------------|---|
|  | <b>Digital Input Indicator</b>  | This indicator will change color when a digital input signal is detected.   |
|  | <b>Motion Trigger Indicator</b> | This indicator will change color when a trigger event occurs.<br><br><b>Note:</b> The video motion feature for your camera must be enabled. |
|  | <b>Recording Indicator</b>      | When a recording is in progress, this indicator will change color.  |

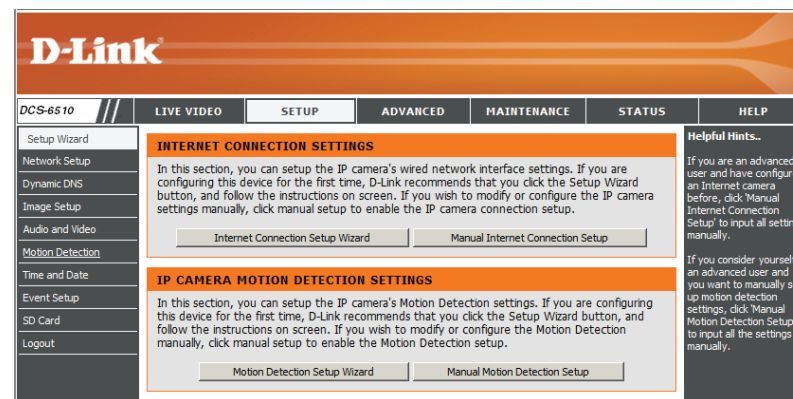
-  Video Profile 1
-  Video Profile 2
-  Video Profile 3
-  Full screen mode
-  Taking a Snapshot
-  Recording a Video Clip
-  Set a Storage Folder
-  Listen/Stop Listening
-  Zoom
-  Talk/Stop Talking
-  Start/Stop Digital Output



# Setup Wizard

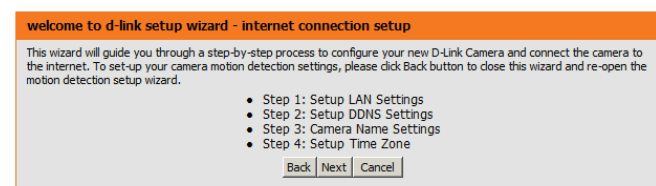
To configure your Network Camera, click **Internet Connection Setup Wizard**. Alternatively, you may click **Manual Internet Connection Setup** to manually configure your Network Camera and skip to page 22.

To quickly configure your Network Camera's motion detection settings, click **Motion Detection Setup Wizard**. If you want to enter your settings without running the wizard, click **Manual Motion Detection Setup** and skip to page 27.



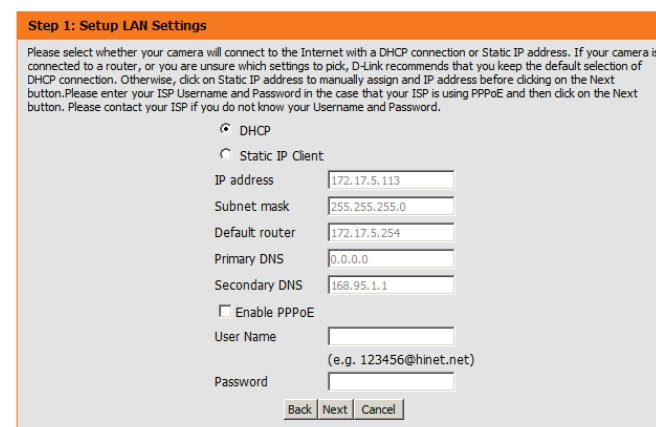
## Internet Connection Setup Wizard

This wizard will guide you through a step-by-step process to configure your new D-Link Camera and connect the camera to the internet. Click **Next** to continue.



**Note:** Select DHCP if you are unsure of which settings to choose.

Click **Next** to continue.



# Configuration

Select Static IP if your Internet Service Provider has provided you with connection settings, or if you wish to set a static address within your home network. Enter the correct configuration information and click **Next** to continue.

If you are using PPPoE, select **Enable PPPoE** and enter your user name and password, otherwise click **Next** to continue.

If you have a Dynamic DNS account and would like the camera to update your IP address automatically, Select **Enable DDNS** and enter your host information. Click **Next** to continue.

Enter a name for your camera and click **Next** to continue.

## Step 1: Setup LAN Settings

Please select whether your camera will connect to the Internet with a DHCP connection or Static IP address. If your camera is connected to a router, or you are unsure which settings to pick, D-Link recommends that you keep the default selection of DHCP connection. Otherwise, click on Static IP address to manually assign and IP address before clicking on the Next button. Please enter your ISP Username and Password in the case that your ISP is using PPPoE and then click on the Next button. Please contact your ISP if you do not know your Username and Password.

DHCP

Static IP Client

IP address

Subnet mask

Default router

Primary DNS

Secondary DNS

Enable PPPoE

User Name

(e.g. 123456@hinet.net)

Password

## Step 2: Setup DDNS Settings

If you have a Dynamic DNS account and would like the camera to update your IP address automatically, enable DDNS and enter in your host information below. Please click on the Next button to continue.

Enable DDNS

Server Address  <<

Host Name

User Name

Password

Verify Password

Timeout  (hours)

## Step 3: Camera Name Settings

D-Link recommends that you rename your camera for easy accessibility. You can then identify and connect to your camera via this name. Please assign a name of your choice before clicking on the Next button.

IP Camera Name

## Configuration

---

Configure the correct time to ensure that all events will be triggered as scheduled. Click **Next** to continue.

If you have selected DHCP, you will see a summary of your settings, including the camera's IP address. Please write down all of this information as you will need it in order to access your camera.

Click **Apply** to save your settings.

### Step 4: Setup Time Zone

Please configure the correct time to ensure that all events are triggered, captured and scheduled at the correct time and day and then click on the Next button.

Time Zone (GMT-08:00) Pacific Time (US & Canada)

Enable Daylight Saving

Back Next Cancel

### Step 5: Setup complete

Below is a summary of your camera settings. Click on the Back button to review or modify settings or click on the Apply button if all settings are correct. It is recommended to note down these settings in order to access your camera on the network or via your web browser.

|                |                    |
|----------------|--------------------|
| IP Address     | DHCP               |
| IP Camera Name | DCS-6510           |
| Time Zone      | (GMT+08:00) Taipei |
| DDNS           | Disable            |
| PPPoE          | Disable            |

Back Apply Cancel

# Motion Detection Setup Wizard

This wizard will guide you through a step-by-step process to configure your camera's motion detection functions.

Click **Next** to continue.

## Step 1

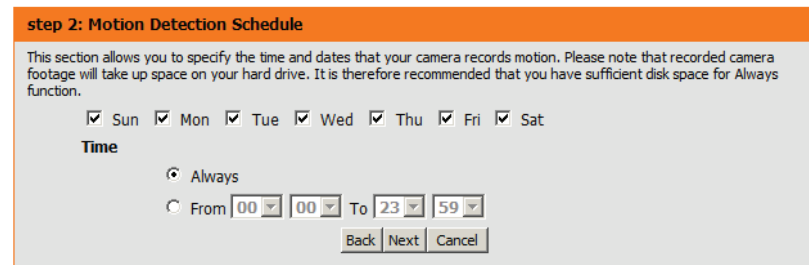
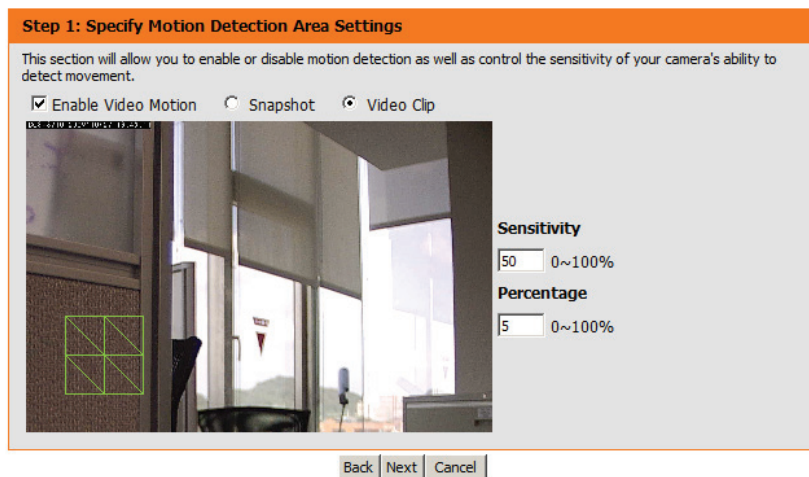
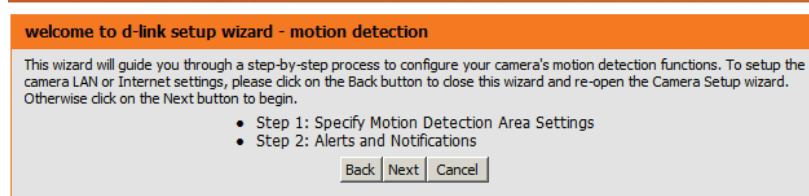
This step will allow you to enable or disable motion detection, specify the detection sensitivity, and adjust the camera's ability to detect movement.

You may specify whether the camera should capture a snapshot or a video clip when motion is detected.

Please see the **Motion Detection** section on page 27 for information about how to configure motion detection.

## Step 2

This step allows you to enable motion detection based on a customized schedule. Specify the day and hours. You may also choose to always record motion.





## Step 3

This step allows you to specify how you will receive event notifications from your camera. You may choose not to receive notifications, or to receive notifications via e-mail or FTP.

Please enter the relevant information for your e-mail or FTP account.

Click **Next** to continue.

**Step 3: Alerts and Notification**

This final step allows you to specify how you receive notification of camera events. Choose between an email notification or alternatively you can setup an FTP Notification. You will need your email account settings or FTP details. If you are unsure of this information, please contact your ISP. Once you have entered this information, please click on the Next button.

Do not motify me

Email

Sender email address

Recipient email address

Server address

User name

Password

Port

FTP

Server address

Port

User name

Password

Remote folder name

## Step 4

You have completed the Motion Detection Wizard.

Please verify your settings and click **Apply** to save them.

**Step 4: Setup Complete**

You have completed your camera setup. Please click the Back button if you want to review or modify your settings or click on the Apply button to save and apply your settings.

Motion Detection : Enable

EVENT : Video Clip

Schedule Day : Sun ,Mon ,Tue ,Wed ,Thu ,Fri ,Sat ,

Schedule Time : Always

Alerts and Notification : Email

Please wait a few moments while the camera saves your settings and restarts.

**Step 4: Setup Complete**

You have completed your camera setup. Please click the Back button if you want to review or modify your settings or click on the Apply button to save and apply your settings.

Changes saved.IP Camera's network is restarting, please wait for 3 seconds ...

# Network Setup

Use this section to configure the network connections for your camera. All relevant information must be entered accurately.

**LAN Settings:** Settings for your local area network.

**DHCP:** Select this connection if you have a DHCP server running on your network and would like your camera to obtain an IP address automatically.

**Static IP Address:** You may obtain a static or fixed IP address and other network information from your network administrator for your camera. A static IP address may simplify access to your camera in the future.

**IP Address:** Enter the fixed IP address in this field.

**Subnet Mask:** This number is used to determine if the destination is in the same subnet. The default value is 255.255.255.0.

**Default Gateway:** The gateway used to forward frames to destinations in a different subnet. Invalid gateway settings may cause the failure of transmissions to a different subnet.

**Primary DNS:** The primary domain name server translates names to IP addresses.

**Secondary DNS:** The secondary DNS acts as a backup to the primary DNS.

**Enable UPnP:** Enabling this setting allows your camera to be configured as a UPnP device on your network.

**Enable UPnP Port Forwarding:** Enabling this setting allows the camera to add port forwarding entries into the router automatically on a UPnP capable network.

The screenshot displays the 'NETWORK SETUP' page for a D-Link DCS-6510 camera. The page is divided into several sections:

- LAN SETTINGS:** Offers 'DHCP' (selected) or 'Static IP Client'. Fields include IP address (172.17.5.124), Subnet mask (255.255.255.0), Default router (172.17.5.254), Primary DNS (192.168.168.250), and Secondary DNS (192.168.168.201). There are checkboxes for 'Enable UPnP presentation' (checked) and 'Enable UPnP port forwarding' (unchecked). The Forwarding Port is 1024 and the status is 'UPnP forwarding is inactive'.
- PPPOE SETTINGS:** Has a 'Disable' option selected. Fields for User Name, Password, and Confirm password are present. PPPoE Status is shown as 'Disable'.
- HTTP:** HTTP port is 80. Access names for stream1, stream2, and stream3 are video1.mjpg, video2.mjpg, and video3.mjpg.
- HTTPS:** HTTPS port is 443.
- RTSP:** RTSP port is 554. Access names for stream1, stream2, and stream3 are live1.sdp, live2.sdp, and live3.sdp.
- TRAFFIC:** Fields for Maximum Upload Bandwidth and Maximum Download Bandwidth, both set to 0 Kilo Bytes Per Second.

Helpful Hints on the right side of the interface:

- Select DHCP Connection:** If you are running a DHCP server on your network and would like an IP address assigned to your IP camera automatically.
- Enabling UPnP settings:** will allow you to configure your IP camera as a UPnP device in the network.
- PPPoE Setting:** If you use the IP camera to connect directly to the Internet, you will need to enter the username and password, which were given to you when you set up your account with your Internet Service Provider. If the camera is behind a router or a gateway, you do not need to configure this setting.
- HTTP Port:** is the port you allocate in order to connect to the IP camera via a standard web browser.
- HTTPS Port:** is a IP camera connects to with a PC via a secure web browser.
- RTSP Port:** is the port you allocate in order to connect to a IP camera by using streaming mobile devices, such as a mobile phone or PDA.
- Traffic:** - Specifying the maximum download/upload bandwidth for each socket is useful when connecting your device to a busy or heavily loaded network.
- \*The value '0' means it will not monitor any traffic.**

**Enable PPPoE:** Enable this setting if your network uses PPPoE.

**User Name:** The unique name of your account. You may obtain this information from your ISP.

**Password:** The password to your account. You may obtain this information from your ISP.

**HTTP Port:** The default port number is 80.

**Access Name for Stream 1~3:** The default name is video#.mjpg, where # is the number of the stream.

**HTTPS Port:** You may use a PC with a secure browser to connect to the HTTPS port of the camera. The default port number is 443.

**RTSP Port:** The port number that you use for RTSP streaming to mobile devices, such as mobile phones or PDAs. The default port number is 554. You may specify the address of a particular stream. For instance, live1.sdp can be accessed at rtsp://x.x.x.x/video1.sdp where the x.x.x.x represents the ip address of your camera.

**Maximum Upload/Download Bandwidth:** Specifying the maximum download/upload bandwidth for each socket can be useful when connecting your device to a busy or heavily loaded network. Entering a value of '0' indicates that the camera should not monitor bandwidth. Specifying other values will limit the camera's transfer speed to the specified number of Kilobytes per second.

The screenshot shows the D-Link DCS-6510 web interface. The main navigation bar includes 'LIVE VIDEO', 'SETUP', 'ADVANCED', 'MAINTENANCE', 'STATUS', and 'HELP'. The 'SETUP' tab is selected, and the 'NETWORK SETUP' page is displayed. The page contains several sections for configuring network settings:

- LAN SETTINGS:** Includes options for DHCP and Static IP Client. Fields for IP address, Subnet mask, Default router, Primary DNS, and Secondary DNS are visible. There are also checkboxes for 'Enable UPnP presentation' and 'Enable UPnP port forwarding'.
- PPPOE SETTINGS:** Includes options for 'Enable' and 'Disable', and fields for 'User Name', 'Password', and 'Confirm password'.
- HTTP:** Includes a field for 'HTTP port' (set to 80) and fields for 'Access name for stream1', 'stream2', and 'stream3'.
- HTTPS:** Includes a field for 'HTTPS port' (set to 443).
- RTSP:** Includes a field for 'RTSP port' (set to 554) and fields for 'Access name for stream1', 'stream2', and 'stream3'.
- TRAFFIC:** Includes fields for 'Maximum Upload Bandwidth' and 'Maximum Download Bandwidth', both set to 0.

Buttons for 'Save Settings' and 'Don't Save Settings' are located at the bottom of each section. A 'Helpful Hints...' sidebar is visible on the right side of the page.

# Dynamic DNS

DDNS (Dynamic Domain Name Server) will hold a DNS host name and synchronize the public IP address of the modem when it has been modified. A user name and password are required when using the DDNS service.

**Enable DDNS:** Select this checkbox to enable the DDNS function.

**Server Address:** Select your Dynamic DNS provider from the pull down menu or enter the server address manually.

**Host Name:** Enter the host name of the DDNS server.

**User Name:** Enter your user name or e-mail used to connect to the DDNS.

**Password:** Enter your password used to connect to the DDNS server.

**Timeout:** Enter DNS Timeout values.

**Status:** Indicates the connection status, which is automatically determined by the system.

The screenshot shows the D-Link web interface for the DCS-6510 modem. The main navigation bar includes tabs for LIVE VIDEO, SETUP, ADVANCED, MAINTENANCE, STATUS, and HELP. The left sidebar contains a menu with options like Setup Wizard, Network Setup, Dynamic DNS, Image Setup, Audio and Video, Motion Detection, Time and Date, Event Setup, SD Card, and Logout. The main content area is titled 'DYNAMIC DNS' and contains an introductory text block, a link to 'Sign up for D-Link's Free DDNS service at www.DLinkDDNS.com', and two 'Save Settings' buttons. Below this is a 'DYNAMIC DNS SETTING' section with the following fields: 'Enable DDNS' (checkbox), 'Server Address' (text field with a dropdown menu), 'Host Name' (text field), 'User Name' (text field), 'Password' (text field), 'Verify Password' (text field), 'Timeout' (text field with '(hours)' label), and 'Status' (text field). A 'Helpful Hints...' sidebar is visible on the right side of the page.

# Image Setup

In this section, you may configure the video image settings for your camera. A preview of the image will be shown in Live Video.

**Enable Privacy Mask:** The Privacy Mask setting allows you to specify up to 3 rectangular areas on the camera's image to be blocked/excluded from recordings and snapshots.

You may click and drag the mouse cursor over the camera image to draw a mask area.

Right clicking on the camera image brings up the following menu options:

**Disable All:** Disables all mask areas

**Enable All:** Enables all mask areas

**Reset All:** Clears all mask areas.

**Mirror:** This option horizontally reverses your images 180°.

**Flip:** This option vertically reverses your images 180°.

**BLC:** Select this box to enable backlight compensation. The backlight compensation function prevents the center object from appearing too dim when excessive light is behind an object. Once activated, the center object will be brighter relative to the edges of the picture where the backlight originates from.

**Power Line:** Use this setting to adjust the amount of flicker present when operating in artificial lighting conditions.

**White Balance:** White balance can help to remove unrealistic color casts, so that objects which appear white to the human eye are rendered white on the screen.

**Exposure Time:** This setting affects the frame rate of the camera. **Auto** is the recommended setting, however advanced users may adjust this value if needed.

**Brightness:** This setting is used to compensate for backlit scenes.

**Saturation:** This setting controls the strength of color from black and white to bold colors.

**Sharpness:** This setting controls the amount of sharpening applied to the image.

The screenshot displays the D-Link DCS-6510 web interface. The top navigation bar includes 'LIVE VIDEO', 'SETUP', 'ADVANCED', 'MAINTENANCE', 'STATUS', and 'HELP'. The 'SETUP' menu is expanded to show 'Image Setup'. The main content area is titled 'IMAGE SETUP' and contains a message: 'Changes to your IP camera settings are made immediately.' Below this is the 'LIVE VIDEO' section, which shows a camera feed of an office interior. To the right of the camera feed is a 'Helpful Hints...' sidebar with instructions for 'Privacy Mask', 'Mirror', 'Flip', 'White Balance', 'Brightness', 'Saturation', and 'Sharpness'. The 'IMAGE SETTINGS' section at the bottom includes controls for Mirror, Flip, BLC, Power Line, White Balance, Exposure Time, Brightness, Saturation, and Sharpness, each with radio buttons or dropdown menus. A 'Reset Default' button is located at the bottom of the settings section.

# Audio and Video

You may configure 3 video profiles with different settings for your camera. Hence, you may set up different profiles for your computer and mobile display. In addition, you may also configure the two-way audio settings for your camera.

**Resolution:** This option allows the user to choose the video resolution of the camera between 160x120, 320x240, and 640x480:

- QQVGA @ 160x120 - Typically used on handheld devices.
- QVGA @ 320x240 - Standard resolution for mobile phones and PDAs.
- VGA @ 640x480 - Standard resolution for computer displays.

**FPS (Frames Per Second):** A higher frame rate provides smoother motion for videos. Lower frame rates will result in stuttering motion.

**bps (Bits Per Second):** The bps will affect the bit rate of the video recorded by the camera. Higher bit rates result in higher video quality.

**JPEG Quality:** Select the image quality level of JPEG images. You may choose **Standard**, **Good**, or **Excellent**.

**Audio in off:** Select this box to turn off the audio input (microphone).

**Audio in gain level:** Choose the gain level. You may select 0 dB or 20 dB.

**Audio out off:** Select this box to turn off the audio output (speaker).

**Audio out volume level:** Select a level between 1 (lowest) and 10 (highest) for the audio out.

The screenshot shows the D-Link DCS-6510 web interface. The main navigation bar includes tabs for LIVE VIDEO, SETUP, ADVANCED, MAINTENANCE, STATUS, and HELP. The left sidebar contains a menu with options like Setup Wizard, Network Setup, Dynamic DNS, Image Setup, Audio and Video, Motion Detection, Time and Date, Event Setup, SD Card, and Logout. The main content area is titled 'AUDIO AND VIDEO' and contains the following sections:

- VIDEO PROFILE 1:** Mode (H.264), Frame size (640x480), setup av govset (1 s), Maximum frame rate (30), Video quality (Constant bit rate: 2M, Fixed quality: Excellent).
- VIDEO PROFILE 2:** Mode (JPEG), Frame size (640x480), Maximum frame rate (30), Video quality (Excellent).
- VIDEO PROFILE 3:** Mode (MPEG4), Frame size (320x240), setup av govset (1 s), Maximum frame rate (30), Video quality (Constant bit rate: 2M, Fixed quality: Excellent).
- AUDIO SETTINGS:** Audio in off (checkbox), Audio in gain level (0 dB), Audio out off (checkbox), Audio out volume level (10).

Buttons for 'Save Settings' and 'Don't Save Settings' are present at the bottom of each profile section and the audio settings section. A 'Helpful Hints...' sidebar on the right provides additional information about frame rates, resolution, and video quality.

# Motion Detection

Enabling Video Motion will allow your camera to use the motion detection feature. You may draw a finite motion area that will be used for monitoring.

**Enable Video Motion:** Select this box to enable the motion detection feature of your camera.

**Sensitivity:** Specifies the measurable difference between two sequential images that would indicate motion. Please enter a value between 0 and 100.

**Percentage:** Specifies the amount of motion in the window being monitored that is required to initiate an alert. If this is set to 100%, motion is detected within the whole window will trigger a snapshot.

**Draw Motion Area:** Draw the motion detection area by dragging your mouse in the window (indicated by the red square).

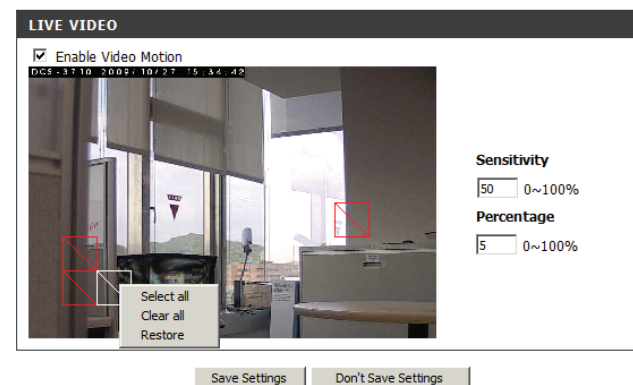
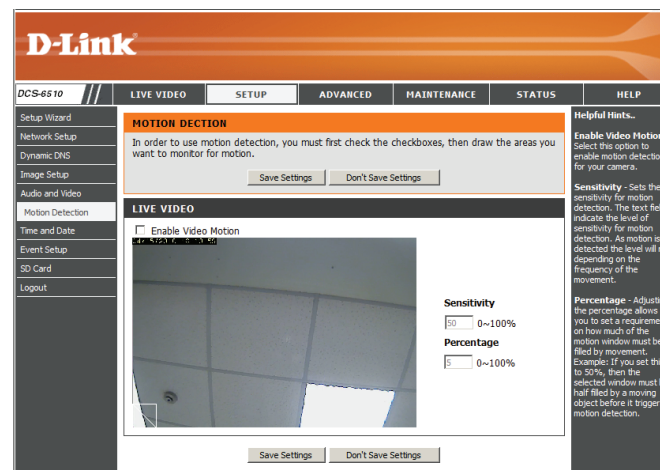
**Erase Motion Area:** To erase a motion detection area, simply click on the red square that you wish to remove.

Right clicking on the camera image brings up the following menu options:

**Select All:** Draws a motion detection area over the entire screen.

**Clear All:** Clears any motion detection areas that have been drawn.

**Restore:** Restores the previously specified motion detection areas.



# Time and Date

This section allows you to automatically or manually configure, update, and maintain the internal system clock for your camera.

**Time Zone:** Select your time zone from the drop-down menu.

**Enable Daylight Saving:** Select this to enable Daylight Saving Time.

**Auto Daylight Saving:** Select this option to allow your camera to configure the Daylight Saving settings automatically.

**Set Date and Time Manually:** Selecting this option allows you to configure the Daylight Saving date and time manually.

**Offset:** Sets the amount of time to be added or removed when Daylight Saving is enabled.

**Synchronize with NTP Server:** Enable this feature to obtain time automatically from an NTP server.

**NTP Server:** Network Time Protocol (NTP) synchronizes the DCS-6510 with an Internet time server. Choose the one that is closest to your location.

**Set the Date and Time Manually:** This option allows you to set the time and date manually.

**Copy Your Computer's Time Settings:** This will synchronize the time information from your PC.

The screenshot shows the D-Link DCS-6510 web interface. The top navigation bar includes 'LIVE VIDEO', 'SETUP', 'ADVANCED', 'MAINTENANCE', 'STATUS', and 'HELP'. The left sidebar lists various setup options, with 'Time and Date' selected. The main content area is titled 'TIME AND DATE' and contains the following sections:

- TIME CONFIGURATION:**
  - Time Zone: (GMT+08:00) Taipei
  - Enable Daylight Saving
  - Auto Daylight Saving
  - Set date and time manually
    - Offset: +2:00
    - Start time: Month 1, Week 1, Day of week Sunday, Hour 0, Minutes 00
    - End time: Month 1, Week 1, Day of week Sunday, Hour 0, Minutes 30
- AUTOMATIC TIME CONFIGURATION:**
  - Synchronize with NTP Server
  - NTP Server: ntp1.dlink.com
- SET DATE AND TIME MANUALLY:**
  - Set date and time manually
  - Year: 2010, Month: 4, Day: 15
  - Hour: 18, Minute: 11, Second: 3
  - Copy Your Computer's Time Settings

Buttons for 'Save Settings' and 'Don't Save Settings' are present at the bottom of each section. A 'Helpful Hints...' sidebar on the right provides additional information about timekeeping and NTP server selection.



# Event Setup

The Event Setup page includes 4 different sections.

- Event
- Server
- Media
- Recording

1. To add a new item - "event, server or media," click **Add**. A screen will appear and allow you to update the fields accordingly.

2. To delete the selected item from the pull-down menu of event, server or media, click **Delete**.

3. Click on the item name to pop up a window for modifying.

**Note:** You can add up to four events, five servers, and five media fields.

**D-Link**

DCS-6510 // LIVE VIDEO SETUP ADVANCED MAINTENANCE STATUS HELP

Setup Wizard  
Network Setup  
Dynamic DNS  
Image Setup  
Audio and Video  
Motion Detection  
Time and Date  
Event Setup  
SD Card  
Logout

**EVENT SETUP**

There are four sections in Event Setup page. They are event, server, media and recording. Click Add to pop a window to add a new item of event, server, media or recording. Click Delete to delete the selected item from event, server, media or recording. Click on the item name to pop a window to edit it. There can be at most three events and two recording. There can be at most five server and five media configurations.

**SERVER**

| Name | Type | Address/Location |
|------|------|------------------|
| Add  | ▼    | Delete           |

**MEDIA**

Media freespace: 6700KB

| Name | Type     |
|------|----------|
| Add  | ▼ Delete |

**EVENT**

| Name | Status | Sun | Mon | Tue | Wed | Thu | Fri | Sat | Time | Trigger |
|------|--------|-----|-----|-----|-----|-----|-----|-----|------|---------|
| Add  | ▼      |     |     |     |     |     |     |     |      | Delete  |

**RECORDING**

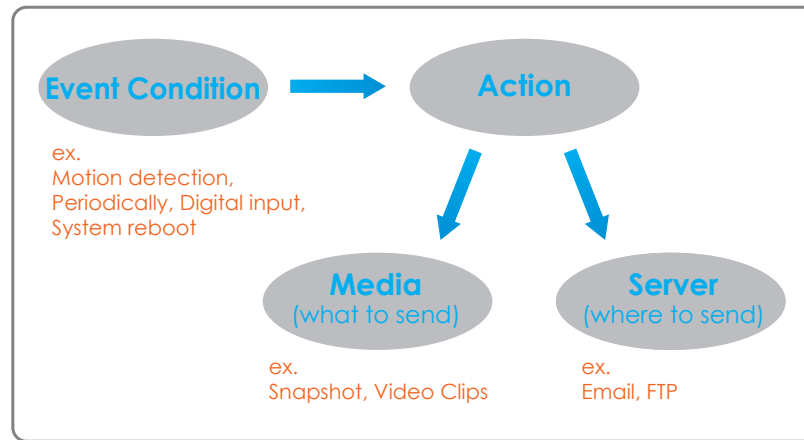
| Name | Status | Sun | Mon | Tue | Wed | Thu | Fri | Sat | Time | Source | Destination |
|------|--------|-----|-----|-----|-----|-----|-----|-----|------|--------|-------------|
| Add  | ▼      |     |     |     |     |     |     |     |      | Delete |             |

**Helpful Hints..**

Suggest setting server and media first before setting event. The servers and media which selected in event list are not be able to modify or delete. Please remove them first from the event if you want to delete or modify them. Recommend using different media in different event to make use all media be produced and received correctly. If using the same media in different events and the events trigger almost simultaneously, the servers in the second triggered event will not receive any media; there would be only notifications.

# Application

In a typical application, when motion is detected, the DCS-6510 Network Camera sends images to a FTP server or via e-mail as notifications. As shown in the illustration below, an event can be triggered by many sources, such as motion detection or external digital input devices. When an event is triggered, a specified action will be performed. You can configure the Network Camera to send snapshots or videos to your e-mail address or FTP site.



To start plotting an event, it is suggested to configure server and media columns first so that the Network Camera will know what action shall be performed when a trigger is activated.

# Add Server

Configure up to 5 servers to store media.

**Server Name:** Enter the unique name of your server.

**E-mail:** Enter the configuration for the target e-mail server account.

**FTP:** Enter the configuration for the target FTP server account.

**Network Storage:** Specify a network storage device. Only one network storage device is supported.

**SD Card:** Use the camera's onboard SD card storage.

**D-Link**

DCS-6510 // LIVE VIDEO SETUP ADVANCED MAINTENANCE STATUS HELP

**SERVER**

You can set at most 5 different servers here for different event.

Test Save Settings Don't Save Settings

**SERVER TYPE**

Server Name: Server1

Email

Sender email address [ ]

Recipient email address [ ]

Server address [ ]

User name [ ]

Password [ ]

Port: 25

FTP

Server address [ ]

Port: 21

User name [ ]

Password [ ]

Remote folder name [ ]

Passive mode

Network storage

Network storage location [ ]

(for example: \\my\_nas\disk(folder))

Workgroup [ ]

User name [ ]

Password [ ]

Primary WINS server [ ]

SD Card

**Helpful Hints..**

**"Server name"** The unique name for server. There are four kinds of servers supported. They are email server, FTP server, HTTP server and network storage.

**Email server:**  
**"Sender email address"** The email address of the sender.  
**"Recipient email address"** The email address of the recipient.

**FTP server:**  
**"Remote folder name"** Granted folder on the external FTP server. The string must conform to that of the external FTP server. Some FTP servers cannot accept preceding slash symbol before the path without virtual path mapping. Refer to the instructions for the external FTP server for details. The folder privilege must be open for upload.  
**"Passive Mode"** Check it to enable passive mode in transmission.

**Network storage:** Only one network storage is supported.  
**"Network storage location"** The path to upload the media.  
**"Workgroup"** The workgroup for network storage.

**SD card:** Use the SD card for recording media.

# Add Media

There are three types of media, **Snapshot**, **Video Clip** and **System Log**.

**Media Name:** Enter an unique name for media.

**Snapshot:** Select this option to enable snapshots.

**Source:** The stream source: **Profile 1**, **Profile 2** or **Profile 3**.

**Send pre-event image(s) [0~4]:** The number of pre-event images.

**Send post-event image(s) [0~7]:** The number of post-event images.

**File name prefix:** The prefix name will be added on the file name.

**Add date and time suffix to file name:** Check it to add timing information as file name suffix.

**Video clip:** Select this option to enable video clips.

**Source:** The source of the profile: **profile1**, **profile2**, or **profile3**.

**Pre-event recording:** The interval of pre-event recording in seconds.

**Maximum duration:** The maximal recording file duration in seconds.

**Maximum file size:** The maximal file size would be generated.

**File name prefix:** The prefix name will be added on the file name of the video clip.

**System log:** Select this option to save events to the camera system log.

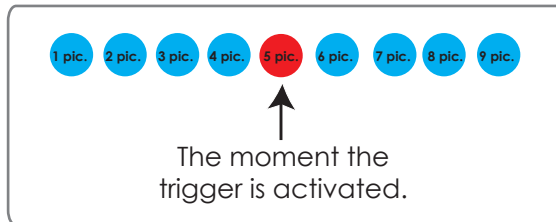


Send post-event image (s) [0~7]

Specify to capture the number of images after a trigger is activated. A maximum of seven images can be generated.

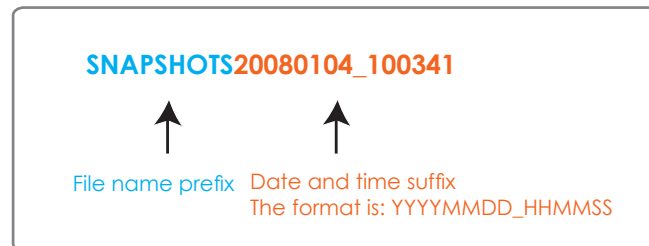
For example:

If both the Send pre-event images and Send post-event images are set to four, a total of 9 images are generated after a trigger is activated.



Add a date and time suffix to the file name

Select this option to add a date and time to the file name suffix.



## Maximum duration

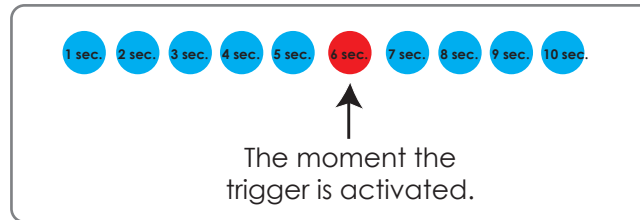
Specify the maximal recording duration in seconds. You can set up to ten seconds.

For example:

## Configuration

---

If the Pre-event recording is set to five seconds and the Maximum duration is set to ten seconds, the Network Camera continues to record for another four seconds after a trigger is activated.



### File name prefix

Enter the text that will be added at the beginning of the file name.



## Add Event

Create and schedule up to 3 events with their own settings here.

**Event name:** Enter a name for the event.

**Enable this event:** Select this box to activate this event.

**Priority:** Set the priority for this event. The event with higher priority will be executed first.

**Delay:** Select the delay time before checking the next event. It is being used for both events of motion detection and digital input trigger.

**Trigger:** Specify the input type that triggers the event.

**Video Motion Detection:** Motion is detected during live video monitoring. Select the windows that need to be monitored.

**Periodic:** The event is triggered in specified intervals. The trigger interval unit is in minutes.

**Digital input:** The external digital input trigger input to the camera.

**System Boot:** Triggers an event when the system boots up.

**Time:** Select **Always** or enter the time interval.

**Trigger D/O:** Select to trigger the digital output for a specific number of seconds when an event occurs.

**Server:** Specify the location where the event information should be saved to.

The screenshot shows the D-Link DCS-6510 web interface for configuring an event. The main content area is titled "EVENT" and contains the following sections:

- EVENT:** A message states "You can set at most 3 events like motion detection or digital input trigger here and arrange the detection schedule at the same time." Below this are "Save Settings" and "Don't Save Settings" buttons.
- EVENT:** A form with the following fields:
  - Event name:
  - Enable this event
  - Priority:
  - Delay for:  seconds before detecting next event [For motion detection and digital input]
- TRIGGER:** Radio buttons for:
  - Video motion detection
  - Periodic (Trigger every  minutes)
  - Digital input
  - System boot
- EVENT SCHEDULE:**
  - Days:  Sun  Mon  Tue  Wed  Thu  Fri  Sat
  - Time:
    - Always
    - From  To
- ACTION:**
  - Trigger D/O for  seconds
  - Server1 (Attached media:

At the bottom of the form are "Save Settings" and "Don't Save Settings" buttons. The right sidebar contains "Helpful Hints..." with text explaining priority, delay, video motion detection, and digital input triggers.

## Add Recording

Here you can configure and schedule the recording settings.

### Recording entry

**name:** The unique name of the entry.

### Enable this

**recording:** Select this to enable the recording function.

**Priority:** Set the priority for this entry. The entry with a higher priority value will be executed first.

**Source:** The source of the stream.

### Recording

**schedule:** Scheduling the recording entry.

### Recording

**settings:** Configuring the setting for the recording.

**Destination:** Select the folder where the recording file will be stored.

**Total cycling recording size:** Please input a volume size between 1MB and 200GB for recording space. The recording data will replace the oldest record when the total recording size exceeds this value. For example, if each recording file is 6MB, and the total cyclic recording size is 600MB, then the camera will record 100 files in the specified location (folder) and then will delete the oldest file and create new file for cyclic recording.

Please note that if there is not enough free space, the recording will stop. Before you set up this option please make sure that sufficient free space is available. It is better to not save other files in the same folder as recordings.

### Size of each file

**for recording:** File size for each recording file. You may input the value in the range of 200-5000.

**File Name Prefix:** The prefix name will be added on the file name of the recording file(s).

The screenshot shows the 'ADD RECORDING' configuration page in the D-Link DCS-6510 web interface. The page is divided into several sections:

- RECORDING:** Contains a 'Save Settings' and 'Don't Save Settings' button. Below it, a message states: 'You can setup schedule recording to network storage with your specify week day and time period.'
- RECORDING:** Includes a 'Recording entry name:' text box, an 'Enable this recording' checkbox, a 'Priority:' dropdown menu (set to 'normal'), and a 'Source:' dropdown menu (set to 'Profile 1').
- RECORDING SCHEDULE:** Features a row of checkboxes for days of the week (Sun, Mon, Tue, Wed, Thu, Fri, Sat). Below this is a 'Time' section with radio buttons for 'Always' (selected) and 'From' (with time pickers for 'From' and 'To').
- RECORDING SETTINGS:** Includes a 'Destination' dropdown menu (set to 'Server 1'), a 'Total cycling recording size:' input field (set to 1000 Kbytes), a 'Size of each file for recording:' input field (set to 200 Kbytes), and a 'File Name Prefix:' text box.

On the right side of the interface, there is a 'Helpful Hints...' section with several notes:

- Recording:** Enable this option if you want to upload the recording to a shared folder on the network.
- Recording schedule:** Select the day(s) according to when you want the camera to make a video clip.
- Always:** This enables the camera to make video clips continuously.
- From:** The time range specified for the video clip.
- Total cycling recording size:** Please input the network path of your network storage, it will be \\DNSIP\CamRecord. If the network storage need authentication, please enter your user name and password here.
- Note:** Please Format CF card before use. The entire data in the CF card will be erased after formatting.
- Note:** Before you unplug the SD card from the slot, please select 'Remove SD card' to ensure that your data is secure.



# SD Card

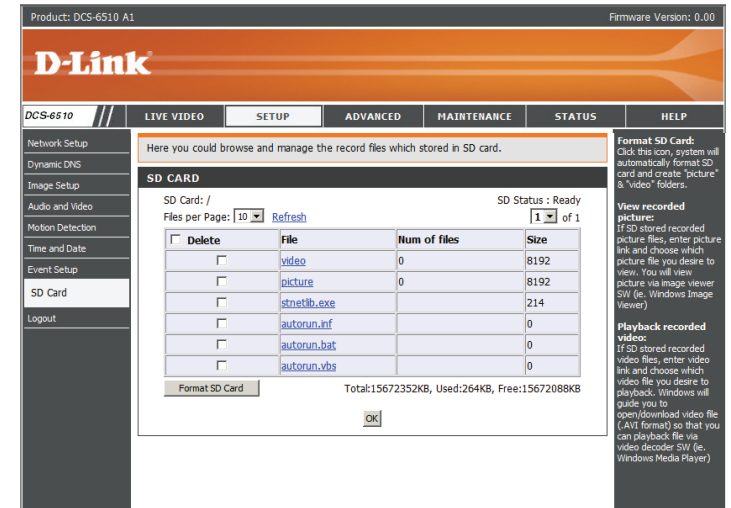
Here you may browse and manage the recorded files which are stored on the SD card.

**Format SD Card:** Click this icon to automatically format the SD card and create "picture" & "video" folders.

**View Recorded Picture:** If the picture files are stored on the SD card, click on the picture folder and choose the picture file you would like to view.

**Playback Recorded Video:** If video files are stored on the SD card, click on the video folder and choose the video file you would like to view.

**Refresh:** Reloads the file and folder information from the SD card.



# Advanced

## Digital Input/Output

This screen allows you to control the behavior of digital input and digital output devices. The I/O connector provides the physical interface for digital output (DO) and digital input (DI) that is used for connecting a diversity of external alarm devices such as IR-Sensors and alarm relays. The digital input is used for connecting external alarm devices and once triggered images will be taken and e-mailed.

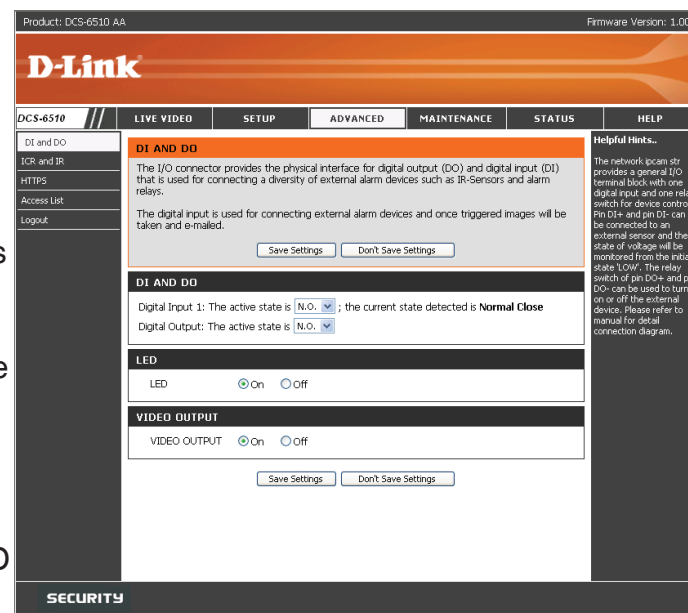
**Select D/I or D/O Mode:** The camera will send a signal when an event is triggered, depending upon the type of device connected to the DI circuit.

N.C. stands for **Normally Closed**. This means that the normal state of the circuit is closed. Therefore events are triggered when the device status changes to "Open."

N.O. stands for **Normally Open**. This means that the normal state of the circuit is open. Therefore events are triggered when the device status changes to "Closed."

**LED:** You may specify whether or not to illuminate the LED on the side of the camera.

**Video Output:** Enable/ disable the BNC terminal TV output signal.



# ICR and IR

You may configure the ICR and IR settings here. An IR(Infrared) Cut-Removable(ICR) filter can be disengaged for increased sensitivity in low light environments.

**Automatic:** The Day/Night mode is set automatically. Generally, the camera uses Day mode and switches to Night mode when needed.

**Day Mode:** Day mode enables the IR Cut Filter.

**Night Mode:** Night mode disables the IR Cut Filter.

**Schedule Mode:** Set up the Day/Night mode using a schedule. The camera will enter Day mode at the starting time and return to Night mode at the ending time.

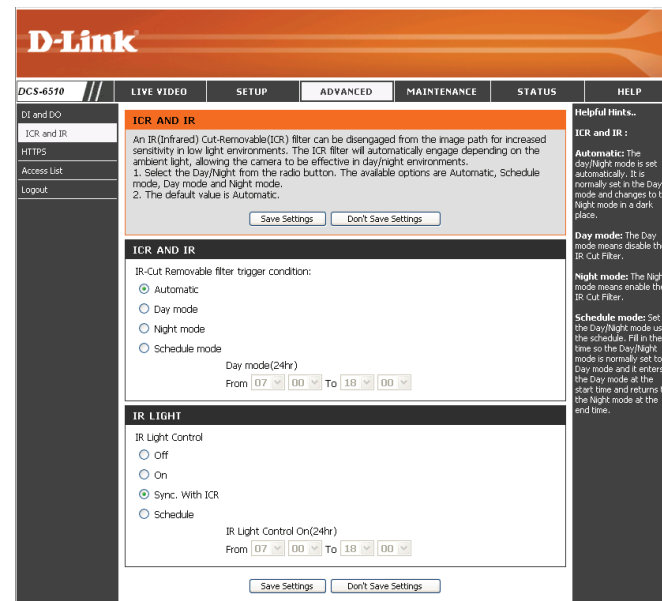
**IR Light Control:** The camera can enable or disable the IR (infrared) light according to your preferences. This setting provides additional controls depending on your specific application.

**Off:** The IR light will always be off.

**On:** The IR light will always be on.

**Sync:** The IR light will turn on when the ICR sensor is on.

**Schedule** The IR light will turn on or off according to the schedule that you specify below.



# HTTPS

This page allows you to install and activate an HTTPS certificate for secure access to your camera.

## Enable HTTPS Secure

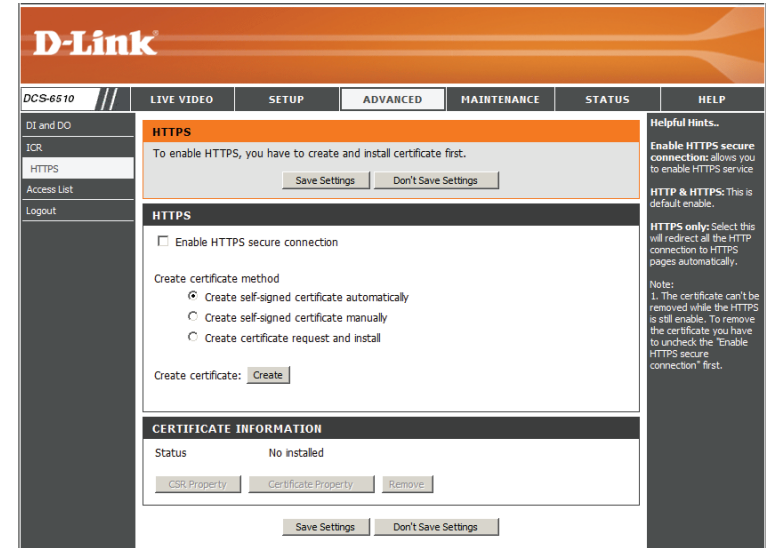
**Connection:** Enable the HTTPS service.

**Create Certificate Method:** Choose the way the certificate should be created. Three options are available:

- Create a self-signed certificate automatically
- Create a self-signed certificate manually
- Create a certificate request and install

**Status:** Displays the status of the certificate.

**Note:** The certificate cannot be removed while the HTTPS is still enabled. To remove the certificate you must first uncheck **Enable HTTPS secure connection**.



# Access List

Here you can set access permissions for users to view your DCS-6510.

**Allow list:** The list of IP addresses that have the access right to the camera.

**Start IP address:** The starting IP Address of the devices (such as a computer) that have permission to access the video of the camera. Click **Add** to save the changes made.

**Note:** A total of seven lists can be configured for both columns.

**End IP address:** The ending IP Address of the devices (such as a computer) that have permission to access the video of the camera.

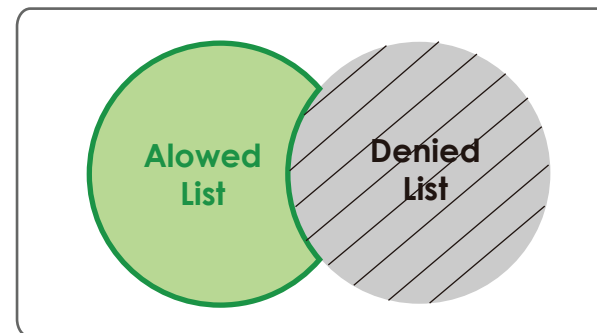
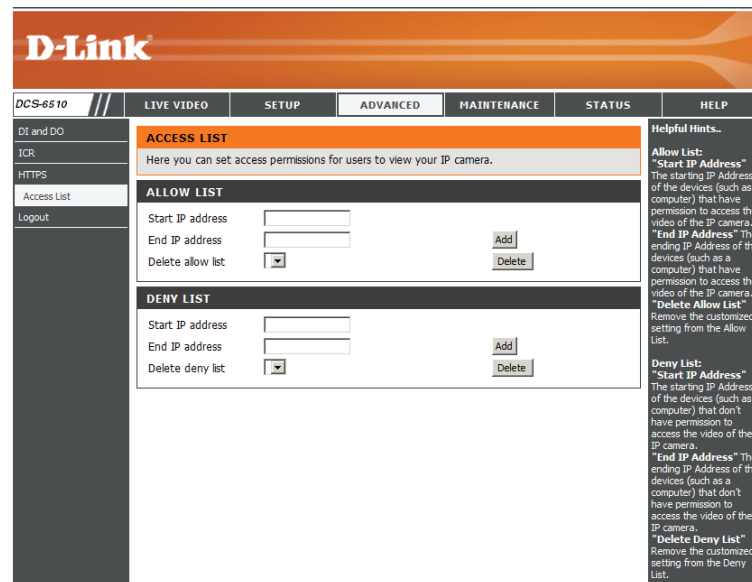
**Delete allow list:** Remove the customized setting from the Allow List.

**Deny list:** The list of IP addresses that have no access right to the camera.

**Delete deny list:** Remove the customized setting from the Delete List.

**For example:**

When the range of the Allowed List is set from 1.1.1.0 to 192.255.255.255 and the range of the Denied List is set from 1.1.1.0 to 170.255.255.255. Only users with IPs located between 171.0.0.0 and 192.255.255.255 can access the Network Camera.



# Maintenance

## Device Management

You may modify the name and administrator's password of your camera, as well as add and manage the user accounts for accessing the camera. You may also use this section to create the unique name and configure the OSD setting for your camera.

**Admin Password Setting:** Set a new password for the administrator's account.

**Add User Account:** Add new user account.

**User Name:** The user name for the new account.

**Password:** The password for the new account.

**User List:** All the existing user accounts will be displayed here. You may delete accounts includes in the list, but please reserve at least one as guest.

**Camera Name:** Create a unique name for your camera that will be added to the file name prefix when creating a snapshot or a video clip.

**Enable OSD:** Select this option to enable the On-Screen Display feature for your camera.

**Label:** Enter a label for the camera.

**Show Time:** Select this option to enable the time-stamp display on the video screen.

**D-Link**

DCS-6510 // LIVE VIDEO SETUP ADVANCED MAINTENANCE STATUS HELP

Admin  
System  
Firmware Upgrade  
Logout

**ADMIN**  
Here you can change the administrator's password for your IP camera as well as add and/or delete user account(s). You can configure the information, such as IP camera's name and time via this page. You can also enable the OSD (On-Screen Display) feature in order to display the IP camera name and time stamp for your video recordings.

**ADMIN PASSWORD SETTING**

New Password  8 characters maximum  
Retype Password  Save

**ADD USER ACCOUNT**

User Name  20 users maximum  
New Password  8 characters maximum  
Retype Password   
Add

**USER LIST**

User Name  -- User list -- Delete

**DEVICE SETTING**

IP camera Name  DCS-6510 A1 30 characters maximum  
 Enable OSD  
Label  DCS-6510 Emil Test  
Show time   
Save

**Helpful Hints...**  
Enabling OSD, the IP camera name and time will be displayed on the video screen for the user.  
For security purposes, it is recommended that you change the password for your administrator account. Be sure to write down the new password to avoid having to reset the IP camera in the event that it is forgotten.

# Backup and Restore

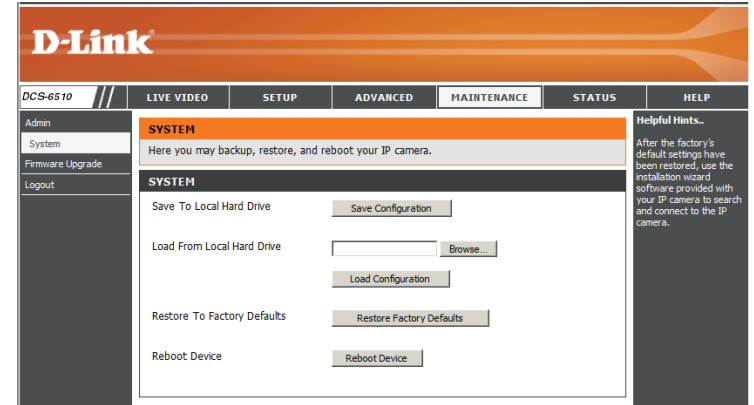
In this section, you may backup, restore and reset the camera configuration, or reboot the camera.

**Save To Local Hard Drive:** You may save and document your current settings into your computer.

**Local From Local Hard Drive:** Locate a pre-saved configuration by clicking **Browse** and then restore the pre-defined settings to your camera by clicking **Load Configuration**.

**Restore to Factory Default:** You may reset your camera and restore the factory settings by clicking **Restore Factory Defaults**.

**Reboot Device:** This will restart your camera.



# Firmware Upgrade

The camera's current firmware version will be displayed on this screen. You may visit the D-Link Support Website to check for the latest available firmware version.

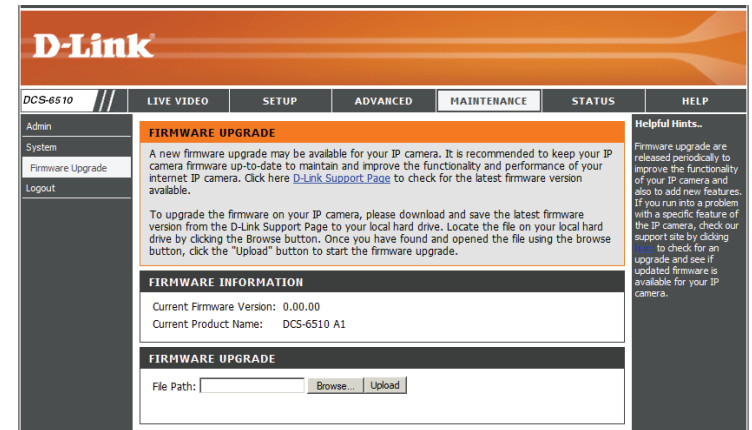
To upgrade the firmware on your DCS-6510, please download and save the latest firmware version from the D-Link Support Page to your local hard drive. Locate the file on your local hard drive by clicking the **Browse** button. Select the file and click the **Upload** button to start upgrading the firmware.

**Current Firmware Version:** Displays the detected firmware version.

**Current Product Name:** Displays the camera model name.

**File Path:** Locate the file (upgraded firmware) on your hard drive by clicking **Browse**.

**Upload:** Uploads the new firmware to your camera.





# Status

## Device Info

This page displays detailed information about your device and network connection.

**D-Link**

DCS-6510 // LIVE VIDEO SETUP ADVANCED MAINTENANCE STATUS HELP

Device Info  
Log  
Logout

**DEVICE INFO**  
All of your network connection details are displayed on this page. The firmware version is also displayed here.

**INFORMATION**

|                  |                         |
|------------------|-------------------------|
| IP camera Name   | DCS-6510                |
| Time & Date      | Wed Jun 2 22:01:35 2010 |
| Firmware Version | 1.00                    |
| MAC Address      | 00:26:5A:DA:41:3C       |
| IP Address       | 172.17.5.76             |
| IP Subnet Mask   | 255.255.255.0           |
| Default Gateway  | 172.17.5.254            |
| Primary DNS      | 192.168.168.250         |
| Secondary DNS    | 192.168.168.201         |
| PPPoE            | Disable                 |
| DDNS             | Disable                 |
| TV Output Mode   | PAL                     |

**Helpful Hints..**  
This page displays all the information about the IP camera and network settings.

# Logs

This page displays the log information of your camera. You may download the information by clicking **Download**. You may also click **Clear** to delete the saved log information.

**D-Link**

DCS-6510 // LIVE VIDEO SETUP ADVANCED MAINTENANCE STATUS HELP

Device Info  
Log  
Logout

**SYSTEM LOG**  
The system log records IP camera events that have occurred.

**CURRENT LOG**

1. 2010-04-15 18:06:53 admin LOGIN OK FROM 172.17.5.77
2. 2010-01-01 00:00:05 SYSTEM BOOTING
3. 2010-04-12 17:28:21 admin FROM 172.17.5.71 SET ALL IMAGE DATA DEFAULT
4. 2010-04-12 17:25:47 admin LOGIN OK FROM 172.17.5.71
5. 2010-01-01 00:00:06 SYSTEM BOOTING
6. 2010-04-08 23:13:28 admin FROM 172.17.5.168 SET TIMESTAMP FORMAT 1
7. 2010-04-08 23:13:28 admin FROM 172.17.5.168 CHANGE TITLE DCS-6510 A
8. 2010-04-08 23:02:00 admin FROM 172.17.5.168 SET ALL IMAGE DATA DEFAULT
9. 2010-04-08 22:59:45 admin LOGIN OK FROM 172.17.5.168
10. 2010-01-01 00:04:04 admin FROM 172.17.5.168 SET NTP IP
11. 2010-01-01 00:00:24 admin LOGIN OK FROM 172.17.5.168
12. 2010-01-01 00:00:05 SYSTEM BOOTING
13. 2010-01-01 00:00:05 SYSTEM BOOTING
14. 2010-01-01 00:06:28 admin LOGIN OK FROM 192.168.0.188
15. 2010-01-01 00:03:08 SYSTEM BOOTING
16. 2010-01-01 00:00:45 admin LOGIN OK FROM 192.168.0.188
17. 2010-01-01 00:00:05 SYSTEM BOOTING
18. 2010-01-01 00:01:37 admin LOGIN OK FROM 192.168.0.188
19. 2010-01-01 00:00:05 SYSTEM BOOTING
20. 2010-01-01 00:00:05 SYSTEM BOOTING

First Page Previous 20 Next 20  
Clear Download

**Helpful Hints..**  
You can save the log to your local hard IP camera by clicking the Download button, and you can clear the log by clicking on the Clear button.

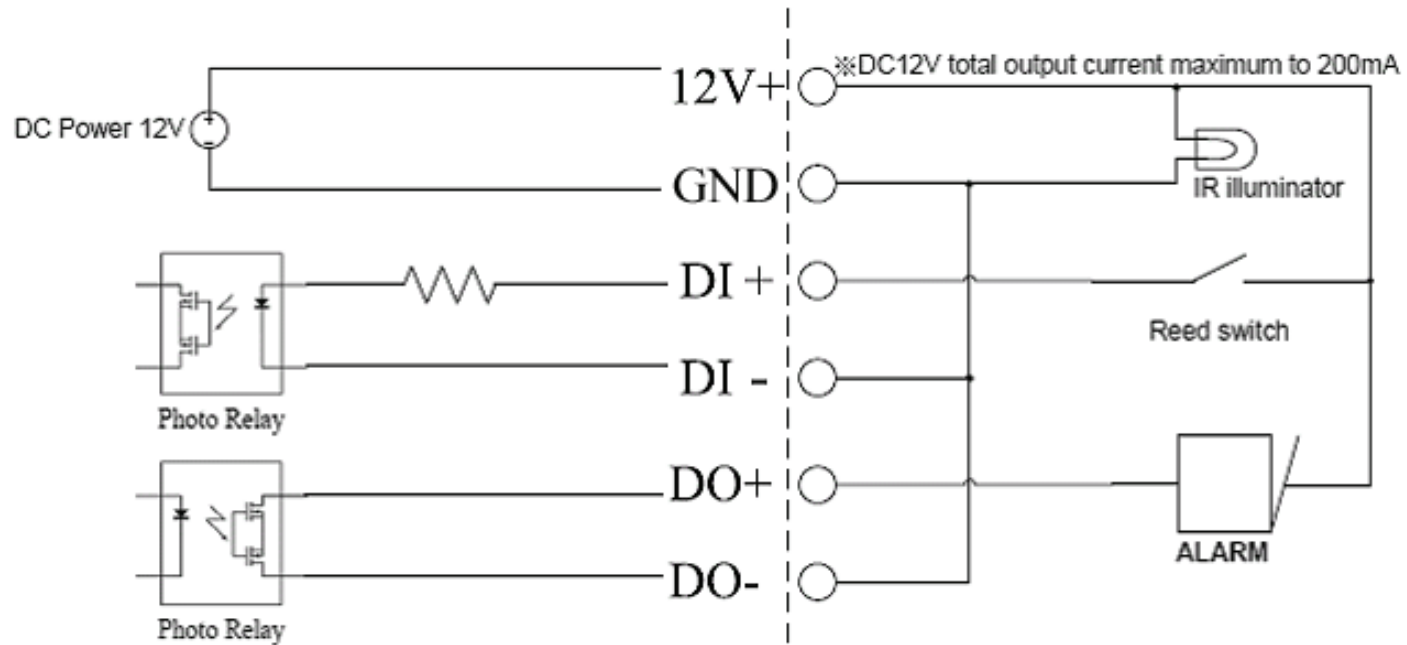
# Help

This page provides helpful information regarding camera operation.

The screenshot displays the D-Link web interface for the DCS-6510 camera. At the top, the D-Link logo is visible on an orange background. Below the logo is a navigation bar with tabs for LIVE VIDEO, SETUP, ADVANCED, MAINTENANCE, STATUS, and HELP. The HELP tab is currently selected. On the left side, there is a sidebar with 'Help Menu' and 'Logout' options. The main content area is titled 'HELP MENU' and lists several categories with their respective sub-items:

- HELP MENU**
  - LIVE VIDEO
  - SETUP
  - MAINTENANCE
  - ADVANCED
  - STATUS
- LIVE VIDEO**
  - [Camera](#)
- SETUP**
  - [Setup Wizard](#)
  - [Network Setup](#)
  - [Dynamic DNS](#)
  - [Image Setup](#)
  - [Audio and Video](#)
  - [Motion Detection](#)
  - [Time and Date](#)
  - [Event Setup](#)
  - [SD Card](#)
- ADVANCED**
  - [DI and DO](#)
  - [RS-485](#)
  - [ICR](#)
  - [HTTPS](#)
  - [Access List](#)
- MAINTENANCE**
  - [Admin](#)
  - [System](#)
  - [Firmware Upgrade](#)
- STATUS**

# DI/DO Schematics



# Technical Specifications

## GENERAL SPECIFICATION

- 1/4" CMOS Sensor
- Removable IR-cut Filter: Auto/Schedule/Manual
- 3A Control: AGC, AWB, AES
- BLC: Backlight compensation
- Built-in IR LED (20 meter)
- DC Iris Varifocal 3.7 ~ 12 mm, F 1.4 ~ 2.8

## VIEW ANGLE

- Vertical: 56.9° (W) ~ 17.1° (T)
- Horizontal: 76.9° (W) ~ 22.7° (T)
- Diagonal: 97.6° (W) ~ 28.4° (T)

## IR LED

- 20 meter illumination distance with 12 LEDs and light sensor

## MINIMUM ILLUMINATION:

- Color: 0.2 lux (F1.4)
- B/W: 0.02 lux (F1.4) without IR LED
- B/W: 0 lux with IR LED on

## 3-AXIS ANGLE:

- Vertical: 120
- Horizontal: 340
- Rotational: 300

## SYSTEM REQUIREMENTS

- Operating System: Microsoft Windows XP, Vista, Windows 7
- Internet Explorer 6 or above , Firefox 3.5 or above, Safari 4

## NETWORKING PROTOCOL

- IPv4, DHCP, ARP, DNS, TCP/IP, DDNS (D-Link), HTTP, HTTPS, UPnP™ Port Forwarding, Samba, SMTP, PPPoE, NTP (D-Link), FTP, RTP, RTSP, UDP, RTCP, ICMP, 3GPP

## BUILT-IN NETWORK INTERFACE

- 10/100BASE-TX Fast Ethernet

## VIDEO CODECS

- H.264
- MPEG4
- MJPEG
- JPEG for still images

## RESOLUTION

- 640 x 480 at up to 30 fps
- 320 x 240 at up to 30 fps
- 160 x 120 at up to 30 fps

## VIDEO FEATURES

- Adjustable image size, quality and bit rate
- Time stamp and text overlays
- 3 configurable privacy masks
- Flip & mirror

## AUDIO CODECS

- G.726
- G.711

## POWER INPUT

- 12 V DC 1.25 A
- 24 V AC
- 802.3af PoE

## PHYSICAL AND ENVIRONMENTAL

- IP-66 weather-proof standard
- IK-10 vandal-proof standard
- Built-in heater and fan

**WEIGHT**

- 1148 g

**OPERATION TEMPERATURE**

- -20 to 50 °C (-4 to 122 °F)

**STORAGE TEMPERATURE**

- -20 to 70 °C (-4 to 158 °F)

**RELATIVE HUMIDITY**

- 20% to 80% non-condensing

**EMISSION(MIS), SAFETY & OTHER CERTIFICATIONS**

- FCC
- IC
- C-Tick
- CE
- LVD

**MOUNTING ACCESSORIES  
(NOT INCLUDED WITH CAMERA)**

**DCS-33-1**

- Height: 60 mm (2.36 inches)
- Diameter: 190 mm (7.48 inches)
- Weight: 272.5 g (0.60 lbs)

**DCS-33-2**

- Height: 25 mm (0.98 inches)
- Diameter: 190 mm (7.48 inches)
- Weight: 167.5 g (0.36 lbs)

**DCS-33-3**

- Height: 201 mm (7.91 inches)
- Diameter: 150 mm (5.90 inches)
- Weight: 534.7 g (1.17 lbs)

**DCS-33-4**

- Height: 253 mm (9.96 inches)
- Diameter: 150 mm (5.90 inches)
- Weight: 640.7 g (1.41 lbs)

**DIMENSIONS**

