

High Gain Directional Panel Antenna

Version 1.1

for 2.4 GHz ISM Band



ANT24-1400

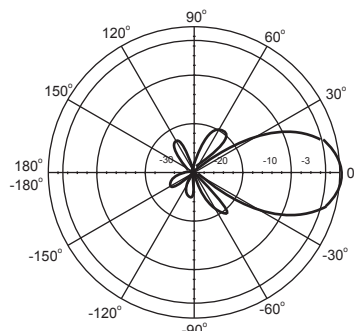
Electrical Specification

Frequency range	2300 MHz - 2500 MHz
Gain	14dBi
VSWR	1.5 : 1 Max.
Polarization	Linear, vertical
HPBW / horizontal	30°
HPBW / vertical	30°
Front to back ratio	15 dB
Downtilt	0°
Power handling	50W (cw)
Impedance	50 Ohms
Connector	N female
Cable	RG-58/U ; 30cm

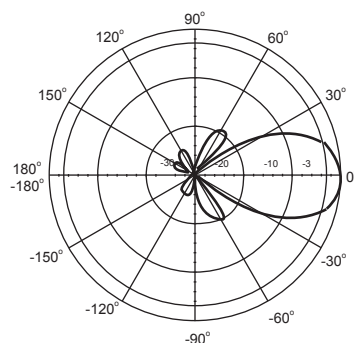


Environmental & Mechanical Characteristics

Survival wind speed	180 km/hr
Temperature	- 40° C to +80° C
Humidity	100% @ 25° C
Lightning protection	DC ground
Radome color	Gray-white
Radome material	ABS, UV resistant
Weight	0.825 kgw
Dimensions	240 x 240 x 69.5 mm

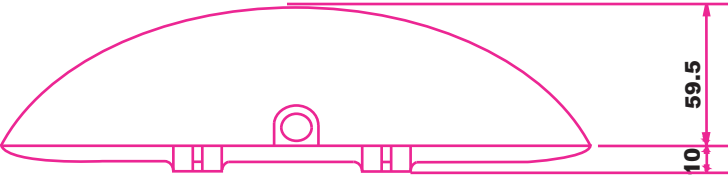
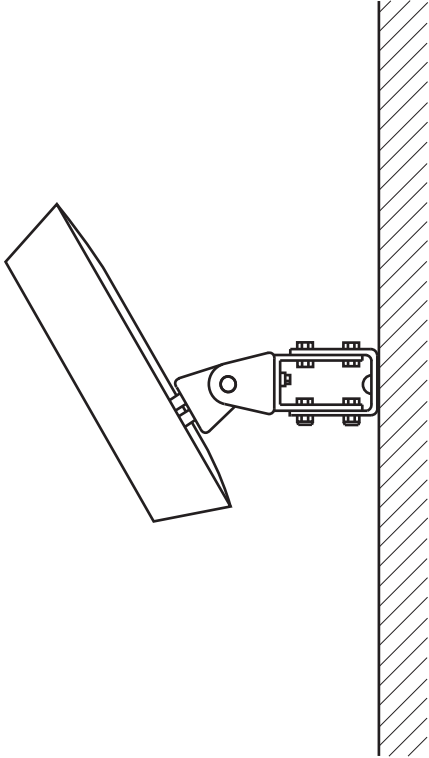
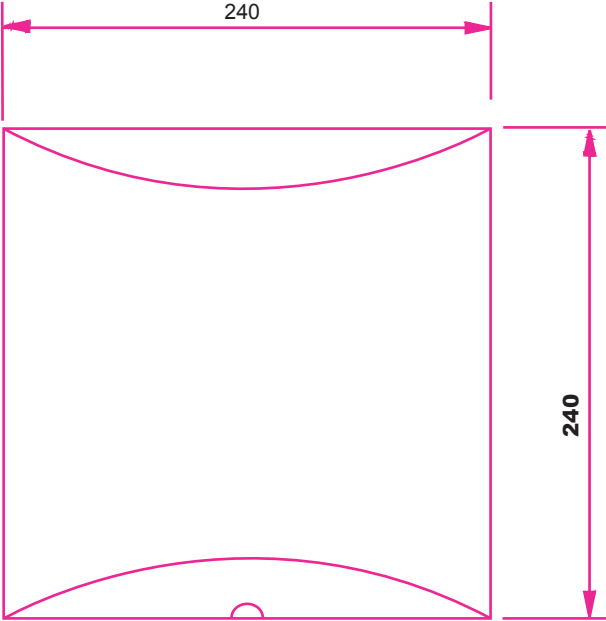


Vertical



Horizontal

Dimensions (mm)



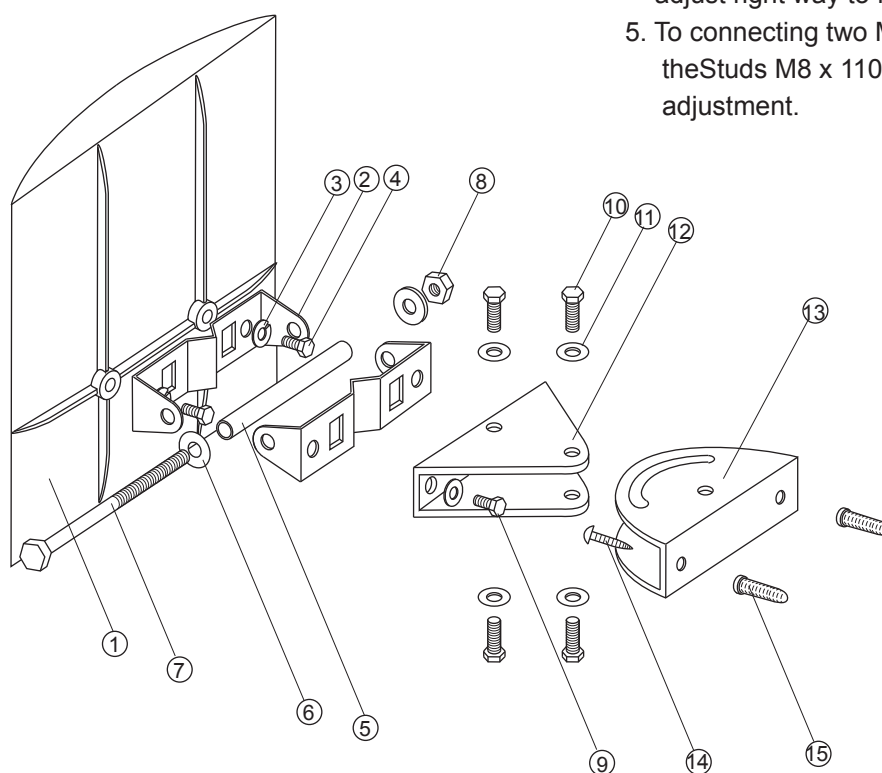
High Gain Directional Panel Antenna for 2.4 ISM Band

Version 1.0

Mounting Configuration

Installation note

1. Inserting the M8 x 12 screw into fixed the antenna body.
2. Inserting the Tapping screw TS4 to fixed the wall.
3. To connecting the M type Prop Stand and Triangle Stand, please inserting the Studs M8 x 16 to fixed with Nuts M8 two set.
4. To connecting the Triangle Stand with Mian Stand, please inserting the Studs M6 x 12; two pcs and adjust right way to fixed.
5. To connecting two M type Prop Stands to inserting the Studs M8 x 110 to fixed antenna down-tilt adjustment.



- | | |
|----------------------------|------------------------------|
| ① Antenna Body | ⑨ M8X16 screw - 2 pcs |
| ② M-type Stand -2 pcs | ⑩ M6X12 screw - 4 pcs |
| ③ M8 Spring washer - 2 pcs | ⑪ M6 washer - 4 pcs |
| ④ M8X12 screw - 2 pcs | ⑫ Triangle stand |
| ⑤ Steel tube -1 pcs | ⑬ Main stand |
| ⑥ M8 washer - 4 pcs | ⑭ Tapping screw - 2 pcs |
| ⑦ M8X110 screw - 1 pcs | ⑮ Plastic wall tiger - 2 pcs |
| ⑧ M8 nut - 3 pcs | |