

System Requirements:

Minimum System Requirements:

- CD-ROM Drive
- Computers with Windows, Macintosh, or Linux-based operating systems
- Installed Ethernet Adapter Internet Explorer version 6.0 or Netscape Navigator version 7.0 and above.

Package Contents



- **D-Link AirPremier™ DWL-3260AP** Managed Wireless Access Point
- Power over Ethernet base unit
- Power Adapter-DC 48V, 0.4A
- Power Cord
- Manual and Warranty on CD
- Quick Installation Guide
- Ethernet Cable
- Mounting Plate

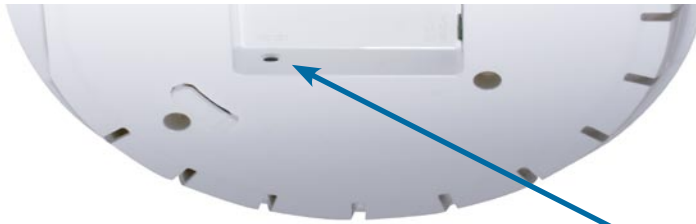
Note: Using a power supply with a different voltage than the one included with the **DWL-3260AP** will cause damage and void the warranty for this product.

If any of the above items are missing, please contact your reseller.

Installing the Hardware



status LED



reset button

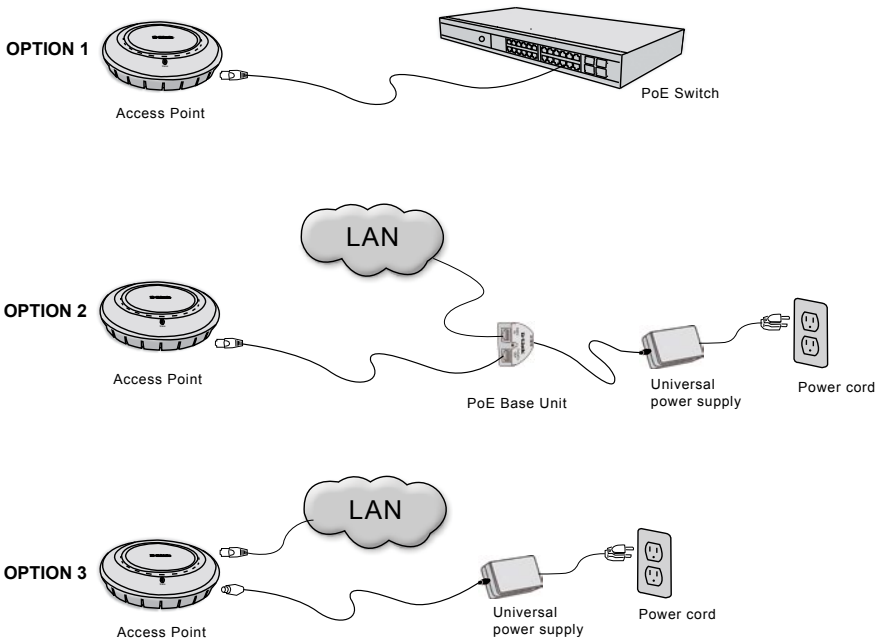


external antenna

Notice: DWL-3260AP has embedded antenna inside,if you need to use external antenna,please turn the switch button to Ext. and attach the antenna.

Connecting the Ethernet and Power Cables

The access point receives power through the Ethernet cable or an external power adapter. And also, this product intended only for installation in Environment A as defined in IEEE 802.3af, Power over Ethernet (PoE).



The access point power options:

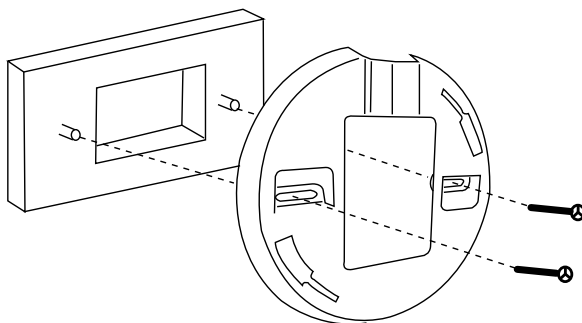
Option 1: Connect with a D-Link wireless switch or other 802.3af PoE compliant switch.

Option 2: Use the PoE Base Unit to connect to a switch that lacks PoE capabilities.

Option 3: Connect to available power using the included power adapter .

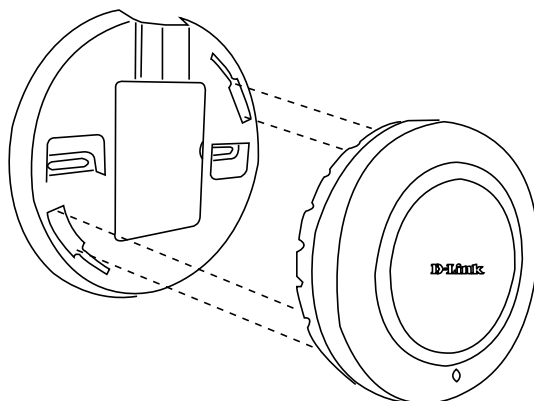
Note: This product and all interconnected equipment must be installed indoors, including all associated LAN connections.

Physical Installation for Your Access Point:(optional)



Junction Box Installation:

1. Attach the bracket to the junction box.
2. attach the DWL-3260AP to the mounting bracket.



Solid Wall or Ceiling Installation:

1. Mount the bracket on the appropriate position on the wall or Ceiling.
2. Mount the AP to the bracket on the wall or ceiling.