

Product Highlights

Reliable Optical Fiber Connection

Fiber optic hookup allows for a broadband connection to more remote locations not reachable by traditional DSL services

High-speed Gigabit

Up to 2.4 Gbps broadband connection provides blazing-fast speeds for users

Triple Play Applications

High-speed broadband is ideal for streaming data, voice, and high-definition video to a home



DPN-101G GPON ONT Bridge

Features

High-Speed Internet Access

- Up to 2.4 Gbps bandwidth capable of powering multi-user locations
- Optical fiber keeps the connection lightning-fast straight to the user
- Expand capacity in a big way to keep up with ever-increasing service demands

Connectivity

- One SC/APC PON port
- One 10/100/1000 Gigabit LAN port

Configuration and Management

- Remote management with advanced PLOAM functions
- Management through G.984.4 OMCI (ONT Management and Control Interface)
- Shell and Logger support for advanced user configuration/diagnostic usage
- Telnet support for remote management
- Firmware upgrades through TFTP or OMCI

Advanced Energy-saving

- Supports Smart@CHIP and GreenTouch architecture

The DPN-101G GPON ONT Bridge is a GPON (Gigabit-capable Passive Optical Network) ONT (Optical Network Terminal) device that provides a Gigabit connection for home and office environments. The key advantage of GPON technology is the extraordinary bandwidth of its channels. It delivers up to 2.4 Gbps speeds over optical fiber wiring, and enables next-generation simultaneous voice, video, and data services including high-speed Internet access, video streaming, and instant messaging. The DPN-101G is an effective, easy-to-deploy device that can be used as part of a high-performance Internet solution.

Leverage Your Fiber with Bridge Mode

The DPN-101G GPON ONT Bridge provides an optical line connection to a GPON Optical Line Terminal (OLT). When the GPON ONT Bridge is connected with an OLT, it can reach up to an 1:128 split ratio with a network radius of up to 20 km and a PON transmission rate of 2.4 Gbps downlink and 1.2 Gbps uplink.

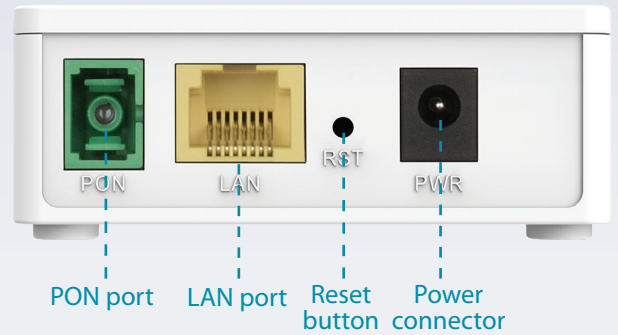
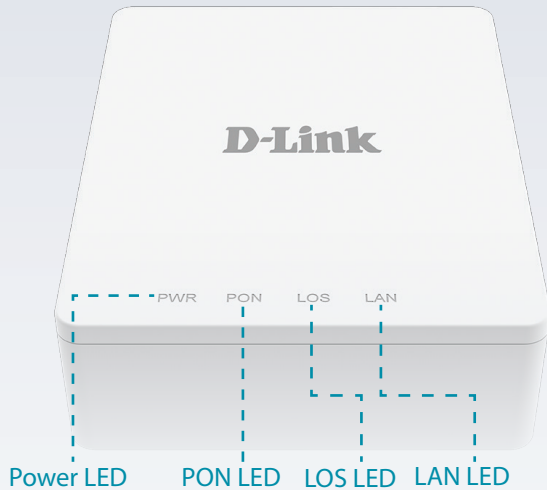
Connectivity Bundled into a Pocket Sized Form

The DPN-101G is perfect for discrete deployment in a pocket sized form. The integrated SC/APC PON port connects users to a public high-bandwidth network, while also allowing them to directly connect non-wireless computers and other network devices via network cables with its 10/100/1000 Gigabit LAN Port.

OMCI (ONT Management and Control Interface)

OMCI, short for ONT Management Control Interface, is a vital component to the operation of GPON (Gigabit Passive Optical Network). OMCI allows service providers to create a variety of applications and services utilizing the PON (Passive Optical Network), including voice, video and data, and features inherent flexibility. The D-Link DPN-101G GPON ONT Bridge lets you manage your device through a standard OMCI defined as by the ITU-T, this includes configuration, alarm, performance monitoring, fault isolation and security management, and private OMCI.

DPN-101G GPON ONT Bridge



Technical Specifications

General

Device Interfaces	<ul style="list-style-type: none"> • One SC/APC PON port • Reset button 	<ul style="list-style-type: none"> • One 10/100/1000 Gigabit LAN port
PON Interface	<ul style="list-style-type: none"> • Downlink 2.4 Gbps • Network covering radius: 20 km • Hi-sensible optical receiver: ≤ -28 dBm • Radiation power: 0.5 ~5 dBm 	<ul style="list-style-type: none"> • Uplink 1.2 Gbps • SC/APC • ONU authentication mechanism
Standards	<ul style="list-style-type: none"> • IEEE 802.1D, Spanning Tree Protocol • IEEE 802.1Q, VLAN 	<ul style="list-style-type: none"> • ITU-T G.984/G.988 • ITU-T Y.1291
VLAN Protocols	<ul style="list-style-type: none"> • Port based VLAN 	<ul style="list-style-type: none"> • IEEE 802.1Q VLAN

Functionality

EPON Encryption	<ul style="list-style-type: none"> • AES128 algorithm encryption MAC/Loid/Hybrid authentication 	
Security	<ul style="list-style-type: none"> • MAC filter 	
Multicast	<ul style="list-style-type: none"> • IGMP-Snooping 	<ul style="list-style-type: none"> • Multicast fast-leave
Management	<ul style="list-style-type: none"> • Management modes including HTTP, SNMP and TELNET • Local or server syslog 	<ul style="list-style-type: none"> • Software upgrade through TFTP, WEB and OMCI

Physical

Dimensions	<ul style="list-style-type: none"> • 90 x 72 x 26 mm (3.54 x 2.83 x 1.02 in) 	
Weight	<ul style="list-style-type: none"> • 70 grams (0.15 lbs) 	
Power	<ul style="list-style-type: none"> • Input: 100 ~ 240 V 	<ul style="list-style-type: none"> • Output: 12 V / 0.5 A
Temperature	<ul style="list-style-type: none"> • Operating: 0 to 45 °C (32 to 113 °F) 	<ul style="list-style-type: none"> • Storage: -40 to 80 °C (-40 to 176 °F)
Humidity	<ul style="list-style-type: none"> • 10 % to 85 % non-condensing 	
Certifications	<ul style="list-style-type: none"> • Anatel 	

Order Information

Part Number	Description
DPN-101G	GPON ONT Bridge

Updated 2020/03/19

Specifications are subject to change without notice. D-Link is a registered trademark of D-Link Corporation and its overseas subsidiaries. All other trademarks belong to their respective owners. ©2020 D-Link Corporation. All rights reserved. E&OE.

D-Link[®]
Building Networks for People