

OEM®

MODEL NO.:

AA-0980

SHEET NO.

1 OF 11

DESCRIPTION: Plug In Class II Power Unit

ISSUE DATE:

07/14/2003

SPECIFICATION FOR APPROVAL

| |
|---------------------------|
| APPROVAL SIGNATURE |
| |
| DATE : |



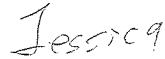
CUSTOMER : 宏傳

PART NO : _____ REV 01

DESCRIPTION : PLUG IN CLASS II POWER UNIT

PLEASE SIGN AND RETURN ONE COPY.

ALL PRODUCTION UNITS WILL BE BUILT ACCORDING TO THIS SPECIFICATIONS.

| APPROVED | CHECKED | PREPARED |
|---|---|--|
|  |  |  |
| DATE : <u>7/14</u> | DATE : <u>2003.07.14</u> | DATE : <u>2003.07.14</u> |

MODEL NO: AA-0980

AGENCY APPROVAL: UL/CUL

SAMPLE NO.: S0921042 DESIGN NO.: LN-4157

PRESENTED BY: _____

NO. _____

1.0 GENERAL DESCRIPTION**2.0 MECHANICAL CHARACTERISTICS**

- 2.1 Strain Relief Test
- 2.2 Drop Test
- 2.3 Cord Bending Test

3.0 SURFACE, STRUCTURE**4.0 ELECTRICAL CHARACTERISTICS**

- 4.1 Input Rated Voltage and Frequency
- 4.2 Output Voltage and Current
- 4.3 Exciting Current
- 4.4 Input Core Loss
- 4.5 Ripple Voltage
- 4.6 Hi-Pot Test
- 4.7 Insulation Test
- 4.8 Temperature Rise
- 4.9 Overload Test
- 4.10 Life Test
- 4.11 Humidity Test

5.0 ENVIRONMENTAL

- 5.1 Operating Temperature and Humidity Range
- 5.2 Storage Temperature and Humidity Range

6.0 RELIABILITY**7.0 PROTECTION****8.0 INPUT/OUTPUT CONNECTOR****9.0 MECHANICAL****10.0 SAFETY REQUIREMENT****11.0 NET WEIGHT**

1.0 GENERAL DESCRIPTION

Unit Type: PLUG IN CLASS II POWER UNIT

This specification is suitable for customer: 宏傳

2.0 MECHANICAL CHARACTERISTICS

2.1 Strain Relief Test:

Plug and cord, at their normal position applied a weight of 35 lb. to input plug, 20 lb. to output cord, for 60 seconds each, there shall be no broken of lead or other damage result.

2.2 Drop Test:

Products shall be dropped form a height of 90 cm, onto a dry wood surface, its thickness is one CM, after shall no abnormal condition happen, and insulation test 10 MΩ min.

2.3 Cord Bending Test:

The cord shall withstand a weight of 300 gm, it swings from left to right at an angle of 120 degree (total) 300 times.

3.0 SURFACE, STRUCTURE

3.1 Surface: Damage rusting etc. are not permitted.

3.2 Appearance, Dimension and Express: As drawing.

4.0 ELECTRICAL CHARACTERISTICS

4.1 Input Rated Voltage and Frequency: 120 VAC 60 Hz 12 VA(ref).

4.2 Output Voltage and Current:

| Lead No. | Input Volt. | Output Volt. | Rate Current | No Load Volt |
|----------|-------------|--------------|--------------|--------------|
| 3 - 4 | 120VAC 60Hz | AC 9V ±0.5V | AC 800mA | AC 10.9V ±5% |
| | | | | |
| | | | | |
| | | | | |

4.3 Exciting Current: I(o): 60 mA(rms) max, at input 120 V 60 Hz.

4.4 Input Core Loss:

AC plug input 120 V 60 Hz 1.5 W. max.

4.5 Ripple Voltage:

AC plug input ----- V ----- Hz, output load ----- m A (AC) ripple

4.8 Temperature Rise:

AC plug input 120 V 60 Hz, output load 800 mA (AC) shall not exceed 70 degree on input coil (by resistance method).

4.9 Overload Test:

In an ambient temperature of 25 °C applies a power source of rated input with the output load adjusted to 10% of rated output and rated continuously for 4 Hours, after turning off 60 minutes in normal temperature, shall meet item 4.6 ~ 4.7.

4.10 Life Test:

In an ambient temperature of 40°C, 90~95%, reliability humidity applied a power source of rated input with rated load and operated continuously for 8 Hours, after taken out from oven. Shall meet item 4.1-4.4 Electrical Characteristics.

4.11 Humidity Test:

Temperature 40 +/-2 °C, 90~95% R.H. for 4 hours, after taken out from oven. Shall meet 4.5 ~4.8.

5.0 ENVIRONMENTAL

5.1 Operating Temperature and Humidity Range:

All requirements specified in section 2 shall be meet over the temperature range of 0 °C to 40 °C, 20% to 90% relative humidity no condensation.

5.2 Storage Temperature and Humidity Range:

The operation specified herein will not be adversely affected if stored or transported within the temperature limits of -20 °C to 70 °C with relative humidity up to 90% no condensation.

6.0 RELIABILITY

The design and construction of this power supply shall exhibit a minimum mean time between failure of 25,000 hours full rated load operation at 25 °C.

7.0 PROTECTION

The power supply includes a THERMLA FUSE of the NONRESETABLE type located within the transformer primary circuit.

8.0 INPUT/OUTPUT CONNECTION

| | LENGTH | MATERIALS | AWG | PLUG | COLOUR |
|-------|--------|-----------|-----|------------------------|--------|
| INPUT | | | | NORTH American TYPE | |

9.0 MECHANICAL

The class 2 power unit will provide Output power connectors show as In table 9.1

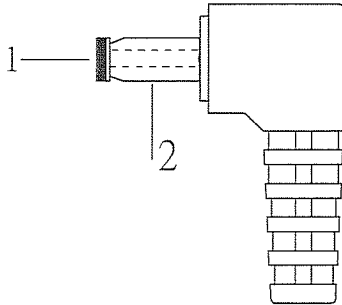


Table 9.1 Pin out for output connectors

| PIN # | Output Voltage |
|-------|----------------|
| 1~2 | 9V AC |
| 3 | |
| 4 | |
| 5 | |
| 6 | |
| 7 | |
| 8 | |
| 9 | |
| | |

FRONT VIEW OF OUTPUT CONNECTOR

10.0 SAFETY REQUIREMENT

The class 2 power unit has been certified and or meet the following international safety standard.

| | Certified | Meet |
|--------|-----------|------|
| UL/CUL | √ | |
| | | |
| | | |

11.0 NET WEIGHT: 255 (g) (ref).

12.0 Power Adapter Dimensions

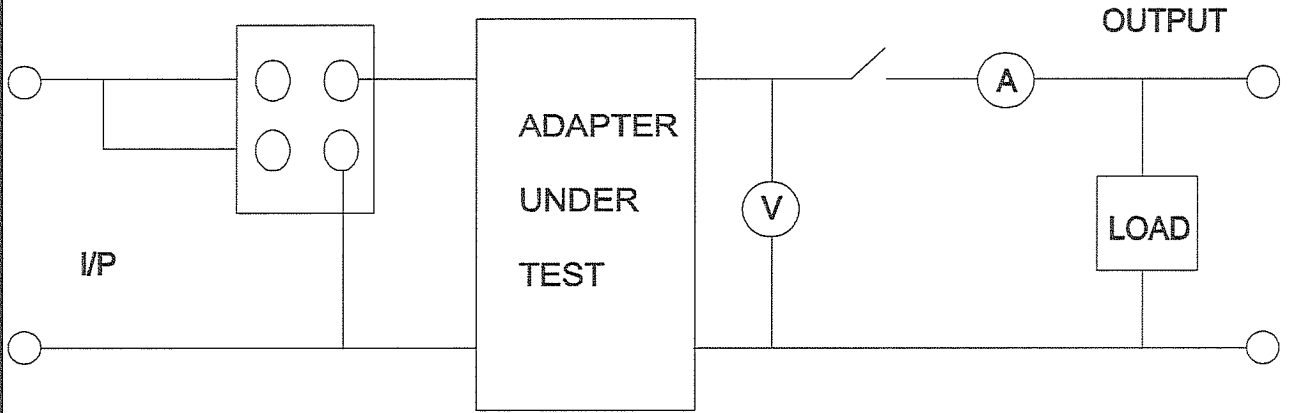
The dimensions of the power adapter are shown in figure 1.

13.0 PACKING

Shield board+Corrugated board packaging.

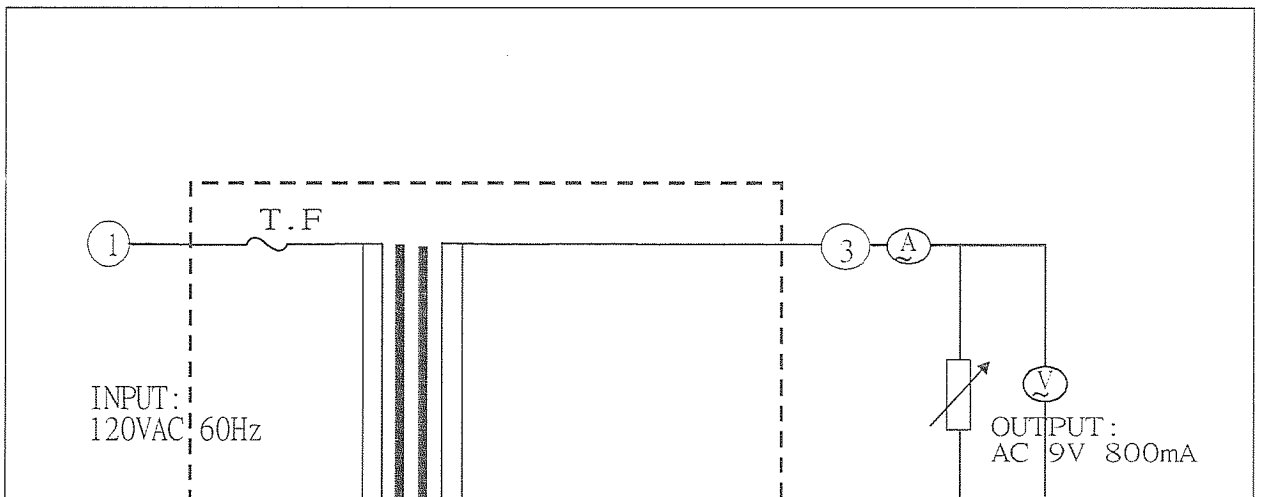
TEST CIRCUIT:

POWER-METER

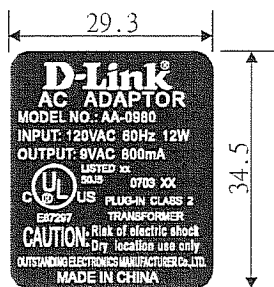


| SYMBOL | PARTS NAME | SPECIFICATION |
|--------|--------------|---------------|
| P T. | TRANSFORMER | TYPE: EI-41 |
| T.F | THERMAL FUSE | 115°C |
| | | |
| | | |
| | | |
| | | |

CIRCUIT:



NAME PLATE



DATE CODE

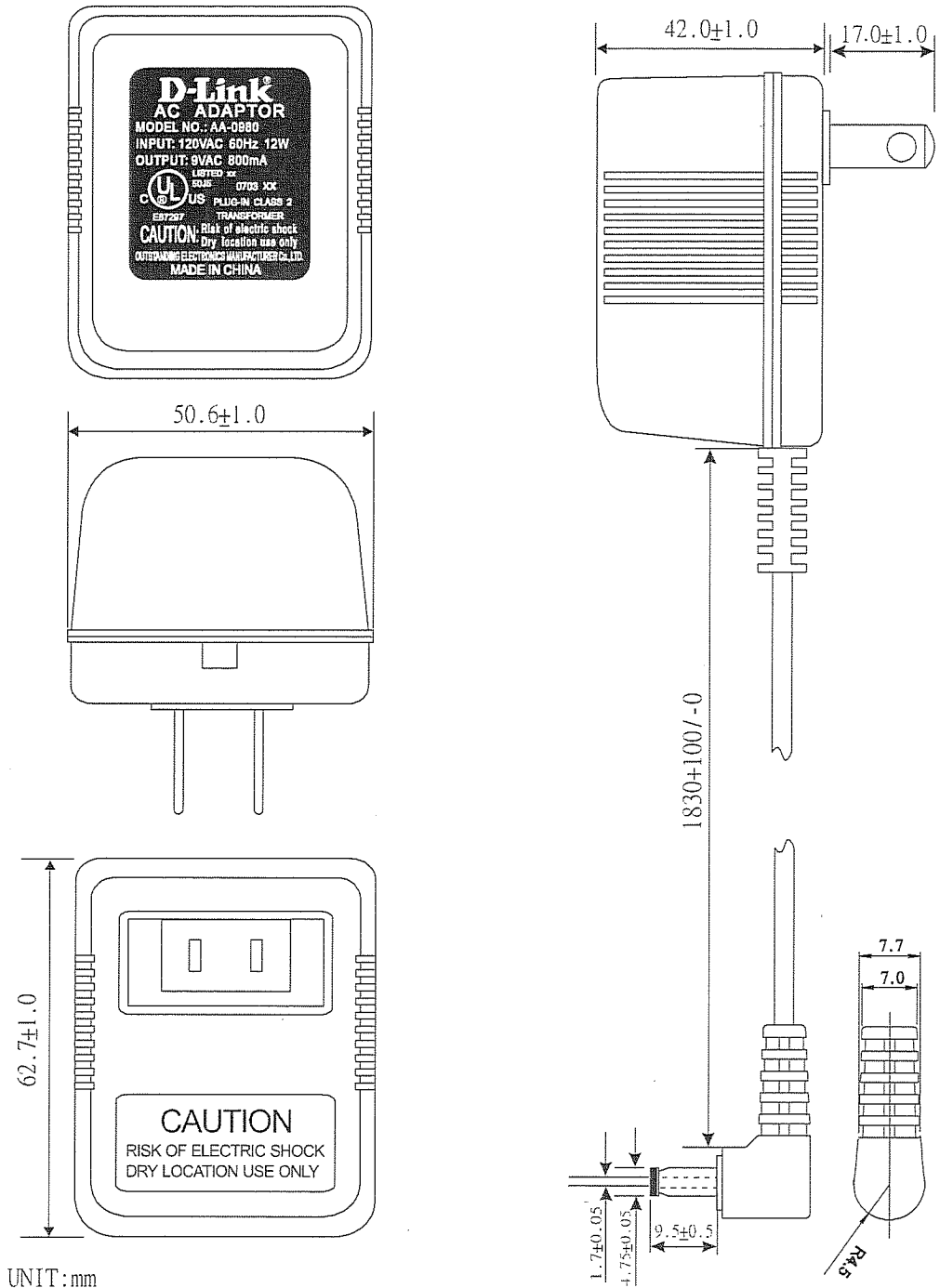
07 03 XX

MONTH YEAR SUPPLIER

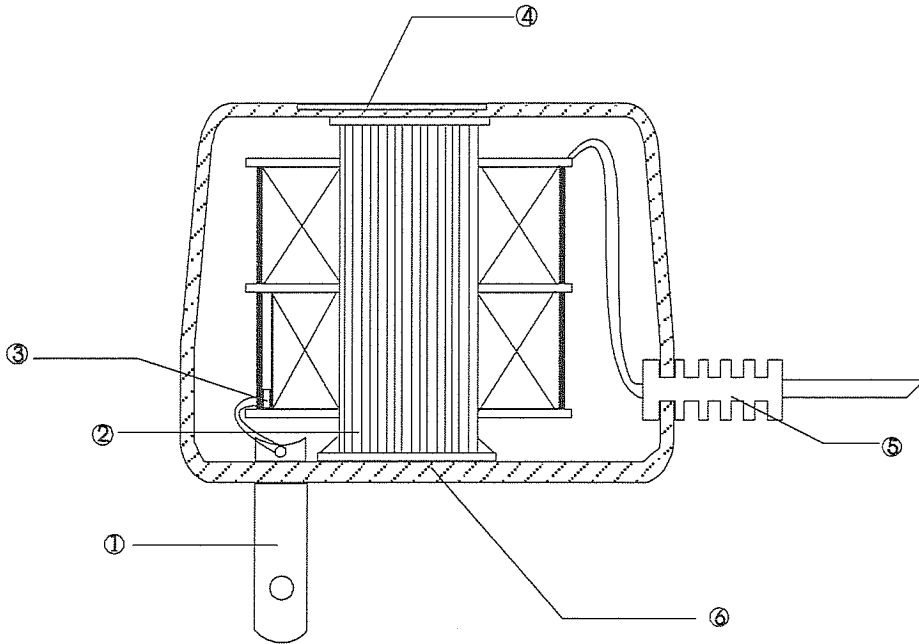
NOTE:

1. MATERIALS: PLSMI, THICK 0.25
2. COLOUR: SILVER WORD ON BLACK BASE
3. SIZE: 29.3*34.5 R2.0*4
4. FIREPROOF MATERIAL
5. TOLERANCE: +0/-0.3
6. UNIT: mm
7. SUPPLIER: 1. BY 2. EL 3. CPC 4. CPC-2 5. NONE
8. LISTED XX: 01: ID(DanYang)
NONE: ID(DongGuan)

CONFIGURATION DRAWING



CONSTRUCTION SKETCH





MODEL NO.:

AA-0980

SHEET NO.

11 OF 11

DESCRIPTION: **Plug In Class II Power Unit**

ISSUE DATE: 07/14/2003

TESTING REPORT

| ITEM | SPEC. | SAMPLE | | | | | | | | | |
|---|--------------|-----------|-------|-------|-------|-------|----|---|---|---|----|
| | | 1 | 2 | 3 | 4 | 5 | 6 | 7 | 8 | 9 | 10 |
| Primary exciting current I/P 120 VAC 60 Hz | 60mA Max | 34 | 35 | 34 | 34 | 34 | | | | | |
| Primary load current I/P 120 VAC 60 Hz | 114mA Max | 88 | 89 | 88 | 88 | 88 | | | | | |
| Secondary no load I/P 120 VAC Voltage | 10.9VAC±5% | 10.89 | 10.89 | 10.90 | 10.90 | 10.89 | | | | | |
| Secondary voltage O/P 9 VAC at 800mA | 9VAC±0.5V | 9.20 | 9.21 | 9.21 | 9.21 | 9.20 | | | | | |
| Secondary no load I/P ___ V Voltage | VAC | | | | | | | | | | |
| Secondary voltage I/P ___ V at load ___ mA | VAC | | | | | | | | | | |
| Secondary no load I/P ___ V Voltage | VAC | | | | | | | | | | |
| Secondary voltage I/P ___ V at load ___ mA | VAC | | | | | | | | | | |
| Ripple #1 I/P: 120 V O/P (full load)Vp-p | Vp-p Max | | | | | | | | | | |
| Ripple #2 I/P: O/P (full load)Vp-p | mV | | | | | | | | | | |
| Ripple #3 I/P: O/P (full load)Vp-p | mV | | | | | | | | | | |
| HI-POT TEST | Pri. To Sec. | AC 1300 V | OK | OK | OK | OK | OK | | | | |

1001...
Melrose New York...
Research Triangle Park
North Carolina...
Camas, Washington...

Underwriters Laboratories Inc.

TSTANDING ELECTRONICS
MANUFACTURER CO LTD
S CHANG
RD FL
CHUNG CHENG RD
HSIN TIEN
PEI HSIEN TAIWAN

U
June 3, 2002
Direct Plug-in and Cord-connected Class 2 Power Units

TSTANDING ELECTRONICS MANUFACTURER CO LTD
RD FL 541 CHUNG CHENG RD HSIN TIEN, TAIPEI
PEI HSIEN TAIWAN

E87297

ery Chargers, Class 2 power units, Direct plug-in Class 2 power units, Direct plug-in power supplies, Direct plug-in transformer units
e with computers, Direct plug-in transformer units, Class 2 transformers, power supplies for use with video games, computer modems,
rms or telephones, General use power supplies, Direct Plus-in transformer unit, Class 2 transformer, power supply for use with Audio
ideo equipment.

ery Charger, Model AD-1516.
s 2 power units (AC to AC): (Core Size 48*25, 26 W max), Models AA-072A1, AA-072A2, AA-072A3, AA-072A4, AA-072A5, AA-081A9,
2A, AA-052A1, AA-082A2, AA-091A7, AA-091A8, AA-091A9, AA-092A, AA-101A6, AA-101A7, AA-101A8, AA-111A4, AA-111A5,
1A6, AA-121A3, AA-121A4, AA-121A5, AA-131A2, AA-131A3, AA-141A1, AA-141A2, AA-062A5.
e Size 48*25, 18 W max), Models AA-141A3, AA-151A1, AA-151A2, AA-161A, AA-161A1, AA-1790, AA-171A, AA-1890, AA-181A,
30, AA-1990, AA-2080, AA-2090, AA-2270, AA-2280, AA-2470, AA-062A45, AA-072A05, AA-072A15, AA-072A25, AA-072A35,
2A45, AA-081A65, AA-081A95, AA-082A05, AA-082A15, AA-091A85, AA-091A95, AA-101A55, AA-101A65, AA-101A75, AA-111A35,
A45, AA-111A55, AA-121A25, AA-121A35, AA-121A45, AA-131A15, AA-131A25, AA-131A35, AA-141A05, AA-141A15, AA-141A25,
A05, AA-151A15, AA-1695, AA-161A05, AA-1785, AA-1795, AA-1885, AA-1895, AA-1975, AA-1985, AA-2075, AA-2085, AA-2265,
5, AA-2465.
Size 48*20, 20 W max), Models AA-052A5, AA-062A1, AA-062A2, AA-062A3, AA-062A4, AA-071A7, AA-071A8, AA-071A9, AA-072A,
A6, AA-081A7, AA-081A8, AA-091A4, AA-091A5, AA-091A6, AA-101A4, AA-101A3, AA-101A5, AA-111A2, AA-111A3, AA-121A1,
A2, AA-131A1, AA-131A1, AA-1490, AA-141A, AA-1590, AA-151A, AA-1680, AA-1690, AA-1780, AA-1880, AA-1970, AA-2070,
0, AA-2460, AA-052A4, AA-111A1L, AA-111A05L, AA-052A35, AA-052A45, AA-062A05, AA-062A25, AA-062A35, AA-071A65,
A75, AA-071A85, AA-071A95, AA-081A55, AA-081A65, AA-081A75, AA-091A35, AA-091A45, AA-091A55, AA-101A35, AA-101A45,
A15, AA-111A25, AA-121A05, AA-121A15, AA-1395L, AA-131A05, AA-1485, AA-1495, AA-1585, AA-1595, AA-1675, AA-1685,
5, AA-1875, AA-1965, AA-2065, AA-2255, AA-2455.
Size 48*16, 15 W max) Models AA-032A, AA-032A1, AA-032A2, AA-032A3, AA-032A4, AA-032A5, AA-042A1, AA-042A3, AA-042A4,
A5, AA-051A5L, AA-051A6, AA-051A7, AA-051A8, AA-051A9, AA-052A, AA-052A2, AA-052A3, AA-061A5L, AA-061A6L,
A7L, AA-061A8L, AA-052A1, AA-061A9L, AA-062A1, AA-071A4L, AA-071A5L, AA-071A6, AA-081A3L, AA-081A4L, AA-081A5L,
A2L, AA-091A3L, AA-101A1, AA-101A1L, AA-101A2L, AA-111A, AA-121A, AA-1390L, AA-1580L, AA-1670L, AA-1770, AA-1860L,
1L, AA-2060, AA-2450L, AA-042A1, AA-042A2, AA-031A95, AA-032A05, AA-032A15, AA-032A25, AA-032A35, AA-032A45,
A95L, AA-042A05, AA-042A15, AA-042A25, AA-042A35, AA-042A45, AA-051A45L, AA-051A55, AA-051A65, AA-051A75, AA-051A85,
A95, AA-052A05, AA-052A15, AA-052A25, AA-061A45L, AA-061A55L, AA-061A65L, AA-061A75L, AA-061A85L, AA-071A35L,
A45L, AA-071A55, AA-081A25, AA-081A35, AA-081A45, AA-091A15L, AA-091A25L, AA-1095A1, AA-101A05L, AA-101A15L,
A, AA-1295A, AA-1385L, AA-1575L, AA-1665L, AA-1765, AA-1855L, AA-1965L, AA-2055, AA-2445L.
Size 48*30, 33 W max), Models AA-082A3, AA-082A4, AA-082A5, AA-092A1, AA-092A2, AA-092A3, AA-092A4, AA-092A5,
A9, AA-102A, AA-102A1, AA-102A2, AA-102A3, AA-102A4, AA-102A5, AA-111A7, AA-111A8, AA-111A9, AA-112A, AA-112A1,
2, AA-121A6, AA-121A7, AA-121A8, AA-121A9, AA-122A, AA-131A4, AA-131A5, AA-131A6, AA-131A7, AA-131A8, AA-131A9,

lers Laboratories Inc. #

144, AA-141A5, AA-141A6, AA-141A7, AA-151A3, AA-151A4, AA-151A5, AA-151A6, AA-161A2, AA-161A3, AA-161A4, AA-161A5, AA-171A2, AA-171A3, AA-171A4, AA-181A1, AA-181A2, AA-181A3, AA-191A, AA-191A1, AA-191A2, AA-191A3, AA-201A, AA-201A2, AA-2290, AA-221A, AA-221A1, AA-2483, AA-2490, AA-241A, AA-082A25, AA-082A35, AA-082A45, AA-092A05, AA-092A25, AA-092A35, AA-092A45, AA-101A65, AA-101A95, AA-102A05, AA-102A15, AA-102A25, AA-102A35, AA-102A45, AA-111A75, AA-111A85, AA-111A95, AA-112A05, AA-112A15, AA-121A55, AA-121A65, AA-121A75, AA-121A85, AA-121A95, AA-131A45, AA-131A55, AA-131A65, AA-131A75, AA-131A85, AA-141A35, AA-141A45, AA-141A55, AA-141A65, AA-151A25, AA-151A45, AA-151A55, AA-161A15, AA-161A25, AA-161A35, AA-161A45, AA-171A05, AA-171A15, AA-201A15, AA-2285, AA-221A05, AA-2495.

The above models may be provided with suffix No. "DT" for the model designation.

2 power units (AC to DC): (Core Size 48*25, 18 W max), Models AD-031A6, AD-031A9, AD-032A, AD-032A1, AD-041A6, AD-041A7, AD-051A4, AD-051A5, AD-051A6, AD-061A4, AD-061A5, AD-071A2L, AD-071A3, AD-081A2, AD-081A3, AD-081A4, AD-091A1, AD-101A, AD-101A1, AD-101A2, AD-1190L, AD-111A, AD-1290, AD-121A, AD-1380, AD-1470L, AD-1480, AD-1570, AD-1580, AD-1760, AD-1770, AD-1860, AD-1960, AD-2050, AD-2060, AD-2245, AD-2250, AD-2440L, AD-031A75, AD-031A85, AD-031A95, AD-041A65, AD-041A75, AD-051A35, AD-051A45, AD-051A55, AD-061A35, AD-061A45, AD-071A15L, AD-071A25, AD-081A15, AD-081A35, AD-091A05, AD-091A15, AD-101A95, AD-101A05, AD-101A15, AD-1185L, AD-111A05, AD-1285, AD-1295, AD-1375, AD-1475, AD-1565, AD-1665, AD-1755, AD-1765, AD-1855, AD-1955, AD-2045, AD-2055, AD-2245, AD-2435L, AD-2495. Size 48*20, 14 W max), Models AD-031A5, AD-031A6, AD-031A7, AD-041A3, AD-041A4, AD-041A5, AD-051A1L, AD-051A1L, AD-051A3, AD-061A1L, AD-061A1L, AD-061A2L, AD-061A3, AD-071A1L, AD-071A1, AD-081A1L, AD-081A1, AD-091A1L, AD-1160L, AD-1180L, AD-1250L, AD-1260L, AD-1270L, AD-1280, AD-1350L, AD-1360, AD-1370L, AD-1450L, AD-1460L, AD-1540L, AD-1550L, AD-1640L, AD-1650L, AD-1660L, AD-1745, AD-1750L, AD-1840L, AD-1945, AD-1950L, AD-2030L, AD-2040L, AD-2045, AD-2230L, AD-2430L, AD-1545L, AD-1850L, AD-1930L, AD-1940L, AD-031A3, AD-031A4, AD-031A2L, AD-041A2L, AD-0790L, AD-0890L, AD-0990L, AD-0980L, AD-1090L, AD-1080L, AD-041A2L, AD-1845, AD-031A15, AD-031A45, AD-031A55, AD-031A65, AD-041A25, AD-041A35, AD-041A45, AD-0595A, AD-031A25, AD-031A35, AD-051A05, AD-051A15, AD-051A25, AD-0695, AD-061A05, AD-0795, AD-071A05, AD-0895, AD-0995, AD-0785, AD-0875L, AD-0885, AD-0975L, AD-0985, AD-1085, AD-1075, AD-1165, AD-1175L, AD-1245L, AD-1255L, AD-1265L, AD-1275, AD-1345L, AD-1355L, AD-1365L, AD-1445L, AD-1455, AD-1535L, AD-1555L, AD-1745L, AD-1835L, AD-1845, AD-1925L, AD-1935L, AD-1945L, AD-2025L, AD-2035L, AD-2225L, AD-2235L,

41*14.5, 7 W max), Models AD-0360, AD-0370, AD-0380, AD-0460, AD-0470, AD-0550, AD-0560, AD-0570, AD-0650, AD-0660, AD-0740, AD-0750, AD-0760, AD-0840, AD-0850, AD-0940, AD-0950, AD-1030, AD-1040, AD-1130, AD-1140, AD-1230, AD-1235, AD-1340, AD-1420, AD-1430, AD-1520, AD-1530, AD-1620, AD-1625, AD-1815, AD-1820, AD-1825, AD-1910, AD-1920, AD-2010, AD-2210, AD-2410, AD-2415, AD-0310, AD-0320, AD-0330, AD-0340, AD-0350, AD-0710, AD-0720, AD-0730, AD-0410, AD-0420, AD-0440, AD-0450, AD-0510, AD-0520, AD-0540, AD-0550, AD-0560, AD-0610, AD-0620, AD-0630, AD-0640, AD-0810, AD-0820, AD-0830, AD-0920, AD-0930, AD-1210, AD-1220, AD-1310, AD-1320, AD-1010, AD-1020, AD-1110, AD-1120, AD-1410, AD-1510, AD-1610, AD-1810, AD-1720, AD-1820, AD-2015.

41*17, 10 W max), Models AD-031A, AD-0390, AD-041A, AD-0480, AD-0490, AD-0580, AD-0590, AD-0680, AD-0690, AD-0770, AD-0790, AD-0860, AD-0870, AD-0960, AD-1050, AD-1060, AD-1150, AD-1240, AD-1245, AD-1250, AD-1350, AD-1440, AD-1540, AD-1635, AD-1830, AD-1930, AD-2025, AD-2030, AD-2220, AD-2420.

41*20, 13 W Max), Models AD-051A, AD-061A, AD-0770, AD-0780, AD-0790, AD-071A, AD-0880, AD-0890, AD-0970, AD-0980, AD-1075, AD-1160, AD-1260, AD-1450, AD-1550, AD-1640, AD-1650, AD-1840, AD-1940, AD-2040, AD-2230, AD-2425, AD-2430.

41*23, 14W max), Models AD-071A, AD-071A2, AD-0990, AD-1950, AD-1090, AD-1180, AD-1190, AD-1270, AD-1283, AD-1370, AD-1470, AD-1560, AD-1660, AD-1750, AD-1850, AD-091A, AD-1950, AD-2045, AD-2050, AD-2145, AD-2240, AD-2440, AD-051A1, AD-061A1, AD-061A2, AD-081A1, AD-081A2, AD-041A1, AD-041A2, AD-081A.

41*14.5, 9 W max), Models AA-0360, AA-0370, AA-0380, AA-0390, AA-031A, AA-031A1, AA-031A2, AA-031A3, AA-031A4, AA-0460, AA-0470, AA-0480, AA-0490, AA-041A, AA-041A1, AA-0560, AA-0570, AA-0580, AA-0590, AA-051A, AA-051A2, AA-0670, AA-0680, AA-0690, AA-0750, AA-0760, AA-0770, AA-0780, AA-0840, AA-0850, AA-0860, AA-0870, AA-0940, AA-0950, AA-1030, AA-1040, AA-1045, AA-1050, AA-1060, AA-1130, AA-1140, AA-1150, AA-1230, AA-1240, AA-1245, AA-1250, AA-1330, AA-1430, AA-1440, AA-1520, AA-1525, AA-1530, AA-1535, AA-1540, AA-1620, AA-1630, AA-1720, AA-1730, AA-1820, AA-1825, AA-1920, AA-1930, AA-2010, AA-2020, AA-2025, AA-2220, AA-2410, AA-2420, AA-2425, AA-0710, AA-0720, AA-0730, AA-0740, AA-0320, AA-0330, AA-0340, AA-0410, AA-0420, AA-0430, AA-0440, AA-0450, AA-0510, AA-0520, AA-0530, AA-0540, AA-0550, AA-0630, AA-0640, AA-0650, AA-1410, AA-1420, AA-1510, AA-0810, AA-0820, AA-0830, AA-0910, AA-0920, AA-0930, AA-1010, AA-1110, AA-1120, AA-1210, AA-1220, AA-1310, AA-1320, AA-1610, AA-1710, AA-1810, AA-1910, AA-2210, AA-0620.

41*17, 12 W max), Models AA-031A6, AA-031A7, AA-041A2, AA-041A3, AA-041A4, AA-041A5, AA-051A3, AA-051A4, AA-061A, AA-071A, AA-071A1, AA-071A2, AA-0790, AA-081A, AA-0880, AA-0890, AA-091A, AA-0970, AA-0980, AA-0990, AA-1078, AA-1080, AA-1090, AA-1160, AA-1170, AA-1180, AA-1260, AA-1270, AA-1350, AA-1360, AA-1450, AA-1460, AA-1550, AA-1640, AA-1740, AA-1840, AA-1850, AA-1940, AA-2030, AA-2230, AA-2430.

41*20, 15 W max), Models AA-032A, AA-031A8, AA-031A9, AA-1370, AA-041A6, AA-041A7, AA-041A8, AA-041A9, AA-042A, AA-061A2, AA-061A3, AA-061A4, AA-071A3, AA-071A4, AA-081A1, AA-081A2, AA-091A1, AA-111A, AA-1190, AA-1280, AA-1290, AA-1374, AA-1380, AA-1470, AA-1560, AA-1570, AA-1660, AA-1660, AA-1750, AA-1760, AA-1855, AA-1860, AA-1950, AA-2050, AA-2055, AA-2240, AA-2245, AA-2440, AA-101A1, AA-101A.

41*23, 17 W max), Models AA-061A5, AA-062A, AA-071A5, AA-081A3, AA-081A4, AA-081A5, AA-121A, AA-131A, AA-1390, AA-1580, AA-1675, AA-1960, AA-2445, AA-2450, AA-061A6, AA-061A7, AA-061A8, AA-061A9, AA-091A2, AA-091A3, AA-101A2, AA-1770, AA-1870, AA-1670.

48*30, 25 W), Model AD-2475.

above models may be provided with suffix No. "DT" for the model designation.

-in Class 2 power units, Models AA-062A, -0920, -121A6, -1880, -2460, AA-161A, AD-051A, -0780N, -0910N, -0920N, -0930N, -21A2N, -1060, -1210N, -1220N, -1550R, -2075, AD-0365R, AD-0465R, -062A1, AD-121A2C; Models AD-XAY, AD-X X = 041, 042, 051, 071, 072, 081, 091, 101, 111, 121, 1390, 131, 1490, 141, 1590, 151, 1680, 1685, 1690, 1780, 1870, 1875, 1880, 1970, 1980, 2070, 2075, 2260, ' = 1-9 or blank.

A-1220, -1225, -1230, -1235, -1250, -1260, -2420, -2425, -2430, -2435, -2450, -2460.

-in power supplies, Models 25-2006, -0450, -0660, -0930, -0950, -0960, -630, -650, -1045-0210, -1150, -1230, -1620, -1675, -2450, -2465, ASCT, -2460, AD-2550, -6S10/30N, -6S20/50, -6S20/50N, -6S30N, -6S30S, -6S50, -6S50N, -0330R, -0450, -0630, -0640, -0650, -0730, -0930, -0980, -1220, -1230, -1250, -1260, -1290, -1515, -1520, -1525, -1615, -1620, -1815, -1820, -2010, -2015, -2410, -2415, -2450.

-in transformer units for use with computers, Models AA-181A, G5433.

-in transformer units, Class 2 transformers, power supplies for use with computer modems, intercoms or telephones, Models -042A, -061A, -061A5, -071A, -071A5, -081A, -091A, -0310, -0320, -0330, -0340, -0350, -0410, -0420, -0430, -0440, -0610, -0620, -0630M, -0670L, -0680, -0680L, -0690, -0710, -0720, -0760L, -0780, -0790, -0910, -0920, -0920M, -0920M, -0940, -0940L, -0970, -0970L, -0980.

ters Laboratories Inc. *

-2020, -2025, -2030, -2030L, -2035, -2040, -2045, -2055, -2230, -2235, -2240, -2417, -2420, -2425, -2425L, -2430, -2435, -2445, AC-120-1, AD-052A, -062A, -071A, -081A, -091A, -091A2, -091A5, -120-1, -121A, -121A2, -0310, -0320, -0330, -0340, -0350, -0410, -0420, -0430, -0440, -0520R, -0610, -0630, -0630M, -0660, -0660L, -0670, -0670L, -0680, -0680L, -0690, -0710, -0720, -0760, -0760L, -770L, -0780, -0820R, -0790, -0905, -092014, -0940, -0950, -0960, -0960L, -0970, -0970L, -0990, -1015, -1201, -1205, -1210, -1215, -1220M, -1225M, -1230, -1235, -1240, -1245, -1250, -1260, -1280, -1283, -1290, -1370, -1516, -1535, -1540, -1540L, -1550, -1550R, -1560, -1570, -1580, -1590, -1610, -1625, -1630, -1635, -1645, -1650, -1655, -1670, -1680, -1625, -1630, -1635, -1840, -1845, -1850, -1860, -1870, -1880, -1960, -2020, -2025, -2030, -2030L, -2035, -2040, -2045, -2050, -2060, -2230, -2235, -2240, -2250, -2260, -2417, -2420, -2425, -2425L, -2430, -2435, AA1078, AA1370, AA091A with or without suffix G.
eral use power supplies, Models AA-1550, -1580, AD121AN, -122A, -131A, -151A2, -0550R, -0760R, -0770, -1290, 1590N, BC-0760R, CI-77, 1ANDT, AD-2780GDT.
ct Plug-in transformer unit, Class 2 transformer, power supply for use with Audio and Video equipment, Models AD-1530, -1560, -1590, 10R, -0910RT, -0920R, -0920RT.

LOOK FOR LISTING MARK ON PRODUCT